

STEADY BEACONS

Exd(e), Weatherproof FL4 & FB4 Ranges



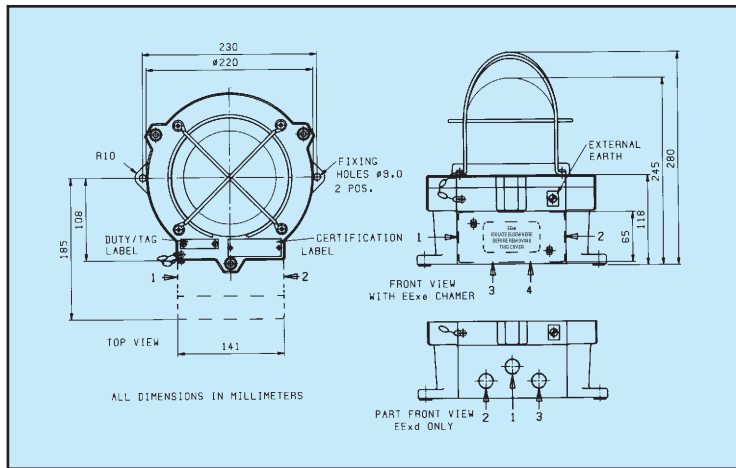
Introduction

These certified steady beacons have been designed for use in flammable atmospheres and harsh environmental conditions. The marine grade alloy or stainless steel enclosures are suitable for use offshore or onshore, where light weight combined with corrosion resistance and strength is required. Units can be painted to customer specification and fitted with identification labels.

Available with optional Exe terminal chamber.

- ★ Zone 1 and Zone 2 use.
- ★ Exde IICT3/T6.
- ★ ATEX approved Ex II 2GD.
- ★ BASEEFA certified.
- ★ UL listed for USA and Canada
 - Hazardous locations:
 - Class I, Div. 1, Groups C & D.
 - Class I, Zone 1, AExd IIB T4/T5.
 - Ordinary locations: Visual-Signal Device.
- ★ GOST 'R' certified.
- ★ Brazilian (Inmetro) certified.
- ★ Certified temperature -55°C to $+55^{\circ}\text{C}$.
- ★ IP66 and IP67.
- ★ Fluorescent.
- ★ Filament Lamps supplied.
- ★ Corrosion Resistant.
- ★ Exde version has gland earth continuity in the GRP terminal chamber.
- ★ Optional lens guard.
- ★ Tapered spigot flamepath.
- ★ Retained cover screws.

MEDC



Entries: Up to 3 x 1/2" NPT or 2 x 3/4" NPT in UL unit.
Up to 3 x 20mm or 2 x 25mm ISO in Exd unit.
Up to 4 x 20mm or 4 x 25mm ISO in Exe unit.

FL4 LAMP DETAILS			
Unit Type	Lamp Type	Lamp Ref.	Holder Type
FL4 DC	Osram Dulux D/E 13W	DD/E 13/XX	G24q-1
	Philips PLC 13W	PLC 13 P4	G24q-1
FL4 AC	Osram Dulux D/E 13W	DD/E 13/XX	G24q-1
	Philips PLC 13W	PLC 13	G24d-1
Osram Colour XX = (21 = Cool white) (31 = Warm white) (41 = Interna)			

Temperature Ratings			
Type	Voltage/Wattage	T Class	Max. Amb.
FL4	DC units	T5	55°C
	AC units	T4	55°C
FB4	60W	T4 (UL T3)	55°C
	100W	T3	55°C

Ordering Requirements

The following code is designed to help in the selection of the correct unit. Build up the reference number by inserting the code for each component into the appropriate box.

Unit Type	Voltage	Certification	Terminals	Entries	Lamp Wattage	Lens Colour	Guard	Options	Material	Finish	
FL4 FB4											
Voltage Code 24Vd.c. B 48Vd.c. C 110Vd.c. D 110Va.c. E 120Va.c. F 220Va.c. G 240Va.c. H 254Va.c. J		Certification Code ATEX B *UL UL †UL (ordinary UW locations) G GOST 'R' M Inmetro M *UL (FB4) – only available 24Vd.c., 110Va.c., NPT entries. *UL (FL4) – only available 24Vd.c., 110Va.c., 240Va.c., NPT entries. †UW only available for FL4.		Entries Code 20mm *B 25mm *C 1/2" NPT† *M 3/4" NPT† *N *Prefix entry size (see diagram above) with entry position code e.g. 2B3B †UL Listed version only.		Lens Colour Code Clear C Red R Blue B Green G Yellow Y Amber A		Options Code Label Code Duty D* Tag T* Relay Initiate R (UL only) None N *Please specify wording		Material Code Finish Code Grey G Red R Blue B Yellow Y White W Other – specify S	
		Terminals & Type Code 6 x 6mm ² (Exe)* 6E 8 x 6mm ² (Exd) 8D 8 x 10 AWG (UL only) 8U		Lamp Wattage Code FL4 13W (1 x 13W tube) 13 26W (2 x 13W tubes) 26* 39W (3 x 13W tubes) 39* FB4 60W 60 100W 100 *Only available in the following voltages: 26W – AC only. 39W – G, H, J.		Guard Code None 0 Guard 1		Material Code Stainless Steel 0 Alloy 1			

*Not available GOST 'R' certified.

Specification

Certification: CENELEC – EN60079-0:2006, EN60079-1:2004, EN60079-7:2007, EN61241-0:2006, EN61241-1:2004

Cert. No. Baseefa02ATEX0224X.

BASEEFA – Exd IIC T5 or Exde IIC T5.

UL listed for USA and Canada

– Hazardous locations:

Class I, Div 1, Groups C & D.

Class I, Zone 1, AExd IIB T4/T5.

Listing No. E187894.

Ordinary locations: Visual-Signal Device (FL4 only).

Listing No. S8128.

GOST 'R' Certified: 1Exd IIC T3/T4/T5.

Brazilian (Inmetro) Certified: BR-Ex d IIC T3/T4/T5/T6.

BR-Ex de IIC T3/T4/T5/T6.

Material: LM25TF Marine Grade Alloy body.
Grade 316 ANC4B Stainless Steel body.
Glass reinforced polyester (GRP) terminal chamber.
Toughened Wellglass.

Models: FL4 – up to 3 x 13 watt PL compact fluorescent lamps.
FB4 – up to 100 watt GLS filament lamps. E27 holder as standard.

Finish: Grey epoxy paint finish as standard or to customer's specification.

Voltage: 24V 48V 110V d.c., 110V 120V 220V 240V 254V a.c. ± 10% 50/60hz.

Weight: FL4 (Exd) 6.5 – 7.9 Kg.
FL4 (Exde) 7.5 – 8.9 Kg.
FB4 (Exd) 6.4 Kg.
FB4 (Exde) 7.4 Kg.
The above are for alloy versions. Add 8.4 Kg for stainless steel.

Certified Temperature: FL4 = -20°C to +55°C.
FB4 = -50°C to +55°C (Exde).
FB4 = -55°C to +55°C (Exd & UL listed).
(For temperature ratings see table below).

Ingress Protection: IP66 and IP67.

Lamps: FB4 units are supplied with lamps.

Terminals: Exe 6 off suitable for up to 6mm² cable or 10 off suitable for up to 2.5mm² cable.
Exd 8 off suitable for up to 6mm² cable.
UL 8 off suitable for up to 10 AWG.



All the above specifications, dimensions, weights and tolerances are nominal (typical) and MEDC reserve the right to vary all data without prior notice. No liability is accepted for any consequence of use.