

STEADY BEACONS

EExd, Weatherproof

FL11, FB11, FL12 & FB12 Range



FL11/FB11 Range



FL12/FB12 Range

Introduction

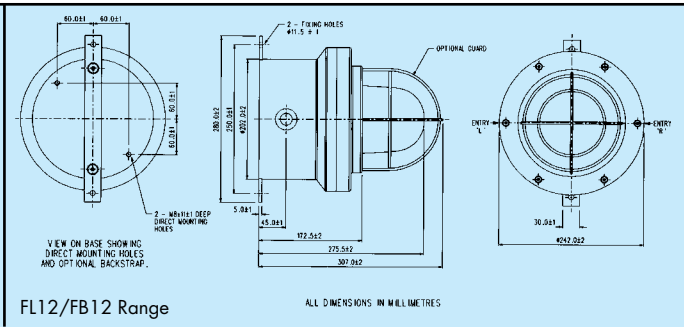
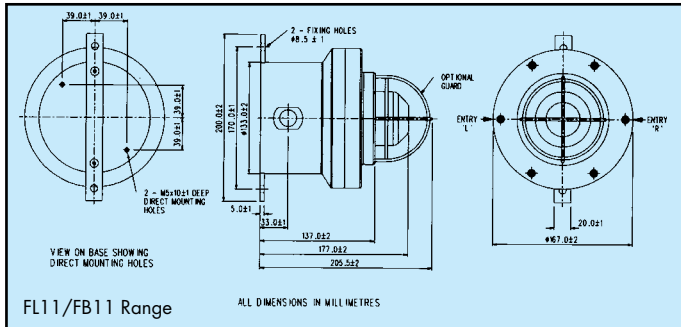
These certified steady beacons have been designed for use in potentially explosive atmospheres and harsh environmental conditions. The enclosures are suitable for use offshore or onshore, where light weight combined with corrosion resistance is required.

The beacon housing is manufactured completely from a U.V. stable, glass reinforced polyester. Stainless steel screws and mounting bracket are available ensuring a totally corrosion free product.

Units can be painted to customer specification and supplied with identification labels.

- ★ Zone 1 and Zone 2 use.
 - ★ EExd, IIB T4/T5.
 - ★ ATEX approved, Ex II 2GD*.
 - ★ UL listed for USA and Canada*
 - Class I, Div. 2, Groups C & D.
 - Class I, Zone 1, AExd IIB T4/T5.
 - ★ BASEEFA Certified.
 - ★ GOST 'R' Certified.
 - ★ Brazilian (Inmetro) Certified.
 - ★ Fluorescent.
 - ★ Filament.
 - ★ IP66 and IP67.
 - ★ Certified temperature -55°C to $+55^{\circ}\text{C}$ *.
 - ★ Corrosion resistant GRP.
 - ★ Optional stainless steel backstrap.
 - ★ Various lens colours.
 - ★ Optional lens guard.
 - ★ 2 x M20 or 2 x $1/2$ " NPT cable entries.
 - ★ Earth continuity option.
- *Model dependent

MEDC



Specification

Models:	FL11 & FL12 – Fluorescent, EExd. FB11 & FB12 – Filament, EExd. FB12 – Filament, EExd & UL Listed.
Certification:	CENELEC EN50014 and EN50018. FB11/FL11 Cert. No. BAS99 ATEX 2195X. FB12/FL12 Cert. No. BAS99 ATEX 2196. BASEEFA EExd IIB – for T rating see table. UL Listed for USA and Canada (FB11 & FB12 only) – Class I, Div. 2, Groups C & D and – Class I, Zone 1, AExd IIB T4/T5. UL Listing No. E187814. GOST 'R': 1Exd IIB (for T ratings see table). Brazilian (Inmetro) Certified: BR-Ex d IIB T4/T5/T6
Voltage:	FL11 & FL12 – 24V d.c., 240V a.c. FB11 & FB12 – 24V d.c., 48V d.c. –110V a.c., 120V a.c., 220V a.c., 240V a.c., 254V a.c.
Fluorescent:	5 Watt type light output 250 Lumens (FL11 24V d.c. version only) – G23 lamp holder. 10 Watt type light output 600 Lumens (FL11 240V a.c. version only) – G23 lamp holder. 13 Watt type light output 900 Lumens (FL12, per tube) – G24Q-1 lamp holder.
Filament:	FB11 – 10W filament fitted as standard – (SBC lamp holder). FB12 – 60W or 100W single filament fitted as standard. Others may be available (UL Listed – 60W only) – (ES27 lamp holder).
Material:	Body: – Glass reinforced polyester (GRP). Lens: – Glass. Cover Screws + Backstrap: – Stainless steel 316.
Finish:	Natural black or painted to customer specification.
Ingress Protection:	IP66 & IP67.
Fire Retardancy:	GRP is fire retardant to ISO 1210.
Earth Continuity:	Optional for metal glands provided via a brass plate.

Terminals:	FL11 (a.c.) 4 x 2.5mm ² . FL11 (d.c.), FB11 6 x 2.5mm ² . FB12/FL12 6 x 6.0mm ² . FB12 UL 6 x 10 AWG.
Labels:	Duty/Tag Label optional.
Entries:	2 x 20mm ISO EExd. 2 x 1/2" NPT UL Listed.
Certified Temperature:	FB11 & FB12, EExd = –55°C to + 55°C*. FL11 & FL12, EExd = –20°C to + 55°C*. *Model dependent – see table for details.

Type	Voltage/Wattage	T Class	Min. Amb.	Max. Amb.
FB11	All	T5	-55°C	+40°C
		T4	-55°C	+55°C
FL11	All	T5	-20°C	+40°C
		T4	-20°C	+55°C
FB12	60W	T5	-55°C	+40°C
	60W	T4	-55°C	+55°C
	100W	T3	-55°C	+30°C
FL12	13W a.c. & d.c.	T6	-20°C	+40°C
	13W a.c.	T5	-20°C	+55°C
	26W a.c.	T5	-20°C	+40°C
	26W a.c.	T4	-20°C	+55°C
	39W a.c.	T4	-20°C	+40°C

Weight:	FL11, FB11 – 2.8 kg*. FL12 – 7.2 kg*. FB12 – 7.6 kg*. *dependant on model.
---------	---

Ordering Requirements

The following code is designed to help in the selection of the correct unit. Build up the reference number by inserting the code for each component into the appropriate box.

Unit Type	Certification	Voltage	Lamp Wattage	Colour	Guard	Unit Fixing	Earth Continuity	Tag/Duty Label	Finish																																																																									
<table border="1"> <tr><td>FL11</td><td>Cert.</td><td>Code</td></tr> <tr><td>FB11</td><td>Uncertified</td><td>W</td></tr> <tr><td>FL12</td><td>ATEX</td><td>B</td></tr> <tr><td>FB12</td><td>UL Listed*</td><td>UL</td></tr> <tr><td></td><td>GOST 'R'</td><td>G</td></tr> <tr><td></td><td>Inmetro</td><td>DM</td></tr> </table> <p>*UL listed only available FB11 & FB12.</p>	FL11	Cert.	Code	FB11	Uncertified	W	FL12	ATEX	B	FB12	UL Listed*	UL		GOST 'R'	G		Inmetro	DM	<table border="1"> <tr><td>Guard</td><td>Code</td></tr> <tr><td>None</td><td>N</td></tr> <tr><td>Yes</td><td>Y</td></tr> </table>	Guard	Code	None	N	Yes	Y	<table border="1"> <tr><td>Label</td><td>Code</td></tr> <tr><td>None</td><td>N</td></tr> <tr><td>Yes</td><td>Y</td></tr> <tr><td colspan="2">(Please specify)</td></tr> </table>	Label	Code	None	N	Yes	Y	(Please specify)		<table border="1"> <tr><td>Unit Fixing</td><td>Code</td></tr> <tr><td>Direct Mounting</td><td>D</td></tr> <tr><td>Backstrap</td><td>B</td></tr> </table>	Unit Fixing	Code	Direct Mounting	D	Backstrap	B	<table border="1"> <tr><td>Colour</td><td>Code</td></tr> <tr><td>Red</td><td>R</td></tr> <tr><td>Blue</td><td>B</td></tr> <tr><td>Green</td><td>G</td></tr> <tr><td>Amber</td><td>A</td></tr> <tr><td>Yellow</td><td>Y</td></tr> <tr><td>Clear</td><td>C</td></tr> </table>	Colour	Code	Red	R	Blue	B	Green	G	Amber	A	Yellow	Y	Clear	C	<table border="1"> <tr><td>Continuity</td><td>Code</td></tr> <tr><td>None</td><td>N</td></tr> <tr><td>Yes*</td><td>Y</td></tr> <tr><td colspan="2">*Not available in UL versions.</td></tr> </table>	Continuity	Code	None	N	Yes*	Y	*Not available in UL versions.		<table border="1"> <tr><td>Finish</td><td>Code</td></tr> <tr><td>Natural Black</td><td>N</td></tr> <tr><td>Red</td><td>R</td></tr> <tr><td>Blue</td><td>B</td></tr> <tr><td>Yellow</td><td>Y</td></tr> <tr><td>Grey</td><td>G</td></tr> <tr><td>White</td><td>W</td></tr> <tr><td>Special Finish</td><td>S</td></tr> </table>	Finish	Code	Natural Black	N	Red	R	Blue	B	Yellow	Y	Grey	G	White	W	Special Finish	S
FL11	Cert.	Code																																																																																
FB11	Uncertified	W																																																																																
FL12	ATEX	B																																																																																
FB12	UL Listed*	UL																																																																																
	GOST 'R'	G																																																																																
	Inmetro	DM																																																																																
Guard	Code																																																																																	
None	N																																																																																	
Yes	Y																																																																																	
Label	Code																																																																																	
None	N																																																																																	
Yes	Y																																																																																	
(Please specify)																																																																																		
Unit Fixing	Code																																																																																	
Direct Mounting	D																																																																																	
Backstrap	B																																																																																	
Colour	Code																																																																																	
Red	R																																																																																	
Blue	B																																																																																	
Green	G																																																																																	
Amber	A																																																																																	
Yellow	Y																																																																																	
Clear	C																																																																																	
Continuity	Code																																																																																	
None	N																																																																																	
Yes*	Y																																																																																	
*Not available in UL versions.																																																																																		
Finish	Code																																																																																	
Natural Black	N																																																																																	
Red	R																																																																																	
Blue	B																																																																																	
Yellow	Y																																																																																	
Grey	G																																																																																	
White	W																																																																																	
Special Finish	S																																																																																	
<table border="1"> <tr><td>Voltage</td><td>Code</td></tr> <tr><td>24V d.c.</td><td>024</td></tr> <tr><td>48V d.c.*</td><td>048</td></tr> <tr><td>110V a.c.*</td><td>110</td></tr> <tr><td>120V a.c.†</td><td>120</td></tr> <tr><td>220V a.c.*</td><td>220</td></tr> <tr><td>240V a.c.</td><td>240</td></tr> <tr><td>254V a.c.*</td><td>254</td></tr> <tr><td colspan="2">Other voltages available, please specify.</td></tr> <tr><td colspan="2">*FB11 & FB12 only</td></tr> <tr><td colspan="2">†FB12 UL Listed only</td></tr> </table>	Voltage	Code	24V d.c.	024	48V d.c.*	048	110V a.c.*	110	120V a.c.†	120	220V a.c.*	220	240V a.c.	240	254V a.c.*	254	Other voltages available, please specify.		*FB11 & FB12 only		†FB12 UL Listed only		<table border="1"> <tr><td>Lamp Wattage</td><td>Code</td></tr> <tr><td>FL11† 5W d.c. (1 x 5W tube)*</td><td>5</td></tr> <tr><td>10W a.c. (1 x 10W tube)*</td><td>10</td></tr> <tr><td>FB11† 10W a.c. & d.c. (1 x 10W bulb)</td><td>10</td></tr> <tr><td>FL12 13W a.c. & d.c. (1 x 13W tube)*</td><td>13</td></tr> <tr><td>26W a.c. (2 x 13W tubes)*</td><td>26</td></tr> <tr><td>39W a.c. (3 x 13W tubes)*</td><td>39</td></tr> <tr><td>FB12 60W a.c. & d.c. (1 x 60W bulb)</td><td>60</td></tr> <tr><td>100W a.c. & d.c. (1 x 100W bulb)</td><td>100</td></tr> </table> <p>*Not available in UL versions. †Inmetro Only available on FL11 & FB11</p>	Lamp Wattage	Code	FL11† 5W d.c. (1 x 5W tube)*	5	10W a.c. (1 x 10W tube)*	10	FB11† 10W a.c. & d.c. (1 x 10W bulb)	10	FL12 13W a.c. & d.c. (1 x 13W tube)*	13	26W a.c. (2 x 13W tubes)*	26	39W a.c. (3 x 13W tubes)*	39	FB12 60W a.c. & d.c. (1 x 60W bulb)	60	100W a.c. & d.c. (1 x 100W bulb)	100																																									
Voltage	Code																																																																																	
24V d.c.	024																																																																																	
48V d.c.*	048																																																																																	
110V a.c.*	110																																																																																	
120V a.c.†	120																																																																																	
220V a.c.*	220																																																																																	
240V a.c.	240																																																																																	
254V a.c.*	254																																																																																	
Other voltages available, please specify.																																																																																		
*FB11 & FB12 only																																																																																		
†FB12 UL Listed only																																																																																		
Lamp Wattage	Code																																																																																	
FL11† 5W d.c. (1 x 5W tube)*	5																																																																																	
10W a.c. (1 x 10W tube)*	10																																																																																	
FB11† 10W a.c. & d.c. (1 x 10W bulb)	10																																																																																	
FL12 13W a.c. & d.c. (1 x 13W tube)*	13																																																																																	
26W a.c. (2 x 13W tubes)*	26																																																																																	
39W a.c. (3 x 13W tubes)*	39																																																																																	
FB12 60W a.c. & d.c. (1 x 60W bulb)	60																																																																																	
100W a.c. & d.c. (1 x 100W bulb)	100																																																																																	



All the above specifications, dimensions, weights and tolerances are nominal (typical) and MEDC reserve the right to vary all data without prior notice. No liability is accepted for any consequence of use.