

SOUNDERS – Up to 103 dB(A) Intrinsically Safe (EExia), Weatherproof DB5 Range



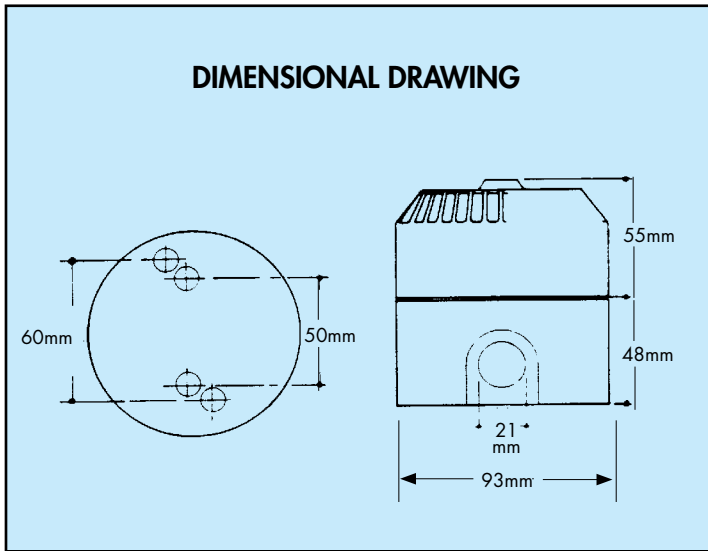
Introduction

This range of light weight, intrinsically safe Sounders has been designed with a high weatherproof rating to cope with the harsh environmental conditions found offshore and onshore in the oil, gas and petrochemical industries.

The unit is available in 2 models: 12V and 24V.

- ★ Zone 0, Zone 1 and Zone 2 use.
- ★ EExia T4.
- ★ ATEX approved Ex II 1G & Ex 1 M1.
- ★ BASEEFA certified.
- ★ FM Approved – Class I, Div. 1, Groups A-D.
- ★ CSA certified.
- ★ Brazilian (Inmetro) certified.
- ★ IP65.
- ★ Certified temperature -20°C to $+55^{\circ}\text{C}$.
- ★ Volume control as standard.
- ★ Up to 103 dB(A).
- ★ 26 different sound outputs, user selectable by internal switches.
- ★ Encapsulated electronics.
- ★ Second tone selectable using third wire.

MEDC



Specification

- Certification:
1. BASEEFA, EN50014 and EN50020 & EN50284 EExia IIC T4. 12/24V version Cert. No. BAS00ATEX 1259 (unit) and 01E2024 (system).
 2. HSE(M) to EN50014 EN50020 and EN50303. EExia 1 Cert. No. MECS01ATEX4260 (unit) and 94Y7095 (system).
 3. FM Approved to Class 1, Div 1 groups A, B, C and D. J.I. 3008604.
Refer to FM Datasheet at rear of catalogue for complete information.
 4. CSA to C22.2 Nos. 0, 0.4, 0.5, 25, 30, 205. Class 1 groups A, B, C and D. Cert. No. 79122.
 5. Brazilian (Inmetro) certified BR-Ex ia IIC T4

Material: A.B.S. (Acrylonitrile Butadiene Styrene).

Finish: Available in Red as standard.

Certified Temperature: -20°C to +55°C.

Weight: 0.3 kg.

Entries: Up to 1 x 21 mm Ø hole on each side via knockouts or 1 x 21 mm Ø rear.

Terminals: 6 off suitable to accept up to 2.5mm² cable, for looping.

Sound Output: 100± 3dB(A) for 12V and 24V versions.
Typical max value only – variable with tone.

Tones comply with BS 5839 Part 1.

Current Consumption

24V model – 14 mA max. nominal.

12V model – 12 mA max. nominal.

Ordering Requirements

The following code is designed to help in selection of the correct unit. Build up the reference number by inserting the code for each component into the appropriate box. **Standard products, available ex-stock, as follows:**

Product	Description
DB5B012NR	Intrinsically safe, ATEX approved Ex II 1G, certified EExia IIC T4, Zones 0, 1 & 2, 103 dB(A), 12V d.c., choice of 26 tones, up to 3 x 20mm entries, natural red ABS plastic.
DB5B024NR	Intrinsically safe, ATEX approved Ex II 1G, certified EExia IIC T4, Zones 0, 1 & 2, 103 dB(A), 24V d.c., choice of 26 tones, up to 3 x 20mm entries, natural red ABS plastic.

Unit Type	Certification	Voltage	Tag Labels	Finish																																		
DB5																																						
	<table border="1"> <thead> <tr> <th>Certification</th> <th>Code</th> </tr> </thead> <tbody> <tr> <td>*BASEEFA GP 1</td> <td>M</td> </tr> <tr> <td>BASEEFA GP 2</td> <td>B</td> </tr> <tr> <td>FM</td> <td>FM</td> </tr> <tr> <td>CSA</td> <td>C</td> </tr> <tr> <td>Inmetro</td> <td>IM</td> </tr> </tbody> </table> <p>*12V only</p>	Certification	Code	*BASEEFA GP 1	M	BASEEFA GP 2	B	FM	FM	CSA	C	Inmetro	IM	<table border="1"> <thead> <tr> <th>Voltage</th> <th>Code</th> </tr> </thead> <tbody> <tr> <td>12V</td> <td>012</td> </tr> <tr> <td>24V</td> <td>024</td> </tr> </tbody> </table>	Voltage	Code	12V	012	24V	024	<table border="1"> <thead> <tr> <th>Tag Label</th> <th>Code</th> </tr> </thead> <tbody> <tr> <td>None</td> <td>N</td> </tr> <tr> <td>Yes</td> <td>Y</td> </tr> <tr> <td>(Please specify)</td> <td></td> </tr> </tbody> </table>	Tag Label	Code	None	N	Yes	Y	(Please specify)		<table border="1"> <thead> <tr> <th>Finish</th> <th>Code</th> </tr> </thead> <tbody> <tr> <td>Red</td> <td>R</td> </tr> <tr> <td>Special</td> <td>S</td> </tr> <tr> <td>(Please specify)</td> <td></td> </tr> </tbody> </table>	Finish	Code	Red	R	Special	S	(Please specify)	
Certification	Code																																					
*BASEEFA GP 1	M																																					
BASEEFA GP 2	B																																					
FM	FM																																					
CSA	C																																					
Inmetro	IM																																					
Voltage	Code																																					
12V	012																																					
24V	024																																					
Tag Label	Code																																					
None	N																																					
Yes	Y																																					
(Please specify)																																						
Finish	Code																																					
Red	R																																					
Special	S																																					
(Please specify)																																						

All the above specifications, dimensions, weights and tolerances are nominal (typical) and MEDC reserve the right to vary all data without prior notice. No liability is accepted for any consequence of use.

MEDC