

SPEAKERS – Up to 8 Watts Exde, Weatherproof DB20 Range



Introduction

This range of loudspeakers, intended for use in potentially explosive atmospheres, has a power rating of up to 8 Watts and is suitable for use in the harsh environmental conditions found offshore and onshore in the oil, gas and petrochemical industries.

The body and cover are manufactured from a UV stable glass reinforced polyester. The flare is manufactured from UV stable ABS.

Stainless steel screws and mounting stirrup are incorporated to ensure a corrosion-free product.

- ★ Zone 1 & 2 (and Zone 21 & 22 : IIC version) plus non-Ex use
- ★ ATEX Approved Ex II 2G Ex de IIB T3/T4*
- ★ IIC Gas Group and Dust approved version available.
- ★ BASEEFA certified.
- ★ Brazilian (Inmetro) certified.
- ★ IECEx Approved
- ★ IP66.
- ★ Certified temperature -50°C to $+70^{\circ}\text{C}$ *
- ★ GRP corrosion-free flamepath.
- ★ 112dB(A) at 8 watts at 1 metre (IIB Version)
- ★ Power tapping via integral transformer.
- ★ Ratcheted swivel mounting stirrup
- ★ Stainless steel fixtures.
- ★ 100V or 70V line versions available.
- ★ Earth continuity available.

*Temperature class relates to ambient temperature (see over)

MEDC

Specification

Rated Power:	8 Watts RMS continuous (at 25°C).
Certification:	EN60079-0, 1, 7 IEC60079-0, 1, 7 and IEC 61241-0, 1 BASEEFA Cert. No. BASEEFA 05 ATEX0199X
IIB version:	Ex de IIB T3/T4* Zone 1 & 2
IIC version:	Ex de IIC T4/T5* Ex tD A21 IP65 T130°C Zone 1 & 2 and Zone 21 & 22 *See Certified temperature below Brazilian (Inmetro) Certified: BR-Ex de IIB T3/T4 BR-Ex de IIC T5/T1 15°C

Material: Body & Cover - UV stable, glass reinforced polyester.
outer flare - UV stable ABS.
Mounting stirrup and fixtures in stainless steel.

Finish: Natural black or painted or to client's requirements.

Output IIB version: Maximum output at 1W/1M is 103 dB(A)
Maximum output at 4W/1M is 109 dB(A)
Maximum output at 8W/1M is 112 dB(A)

IIC version: Maximum output at 1W/1M is 100 dB(A)
Maximum output at 4W/1M is 106 dB(A)
Maximum output at 8W/1M is 109 dB(A)

Weight: 1.5kg approx.

Certified Temperature:
IIB version: Tamb -50°C to +70°C (T3) and Tamb -50°C to +40°C (T4)
IIC version: Tamb -50°C to +70°C (T4) and Tamb -50°C to +40°C (T5)

Ingress Protection: IP66

Frequency Range: 400Hz to 7kHz.

Voice Coil Impedence: 8 ohms.

Transformer: Used by combining the rated power tapings below.

Transformer Tappings	Power (Watts)	
	(8W unit)	(4W unit)
1:2	8.00	4.00
2:3	4.00	2.00
3:4	2.00	1.00
1:3	1.50	0.75
2:4	0.75	0.38
1:4	0.40	0.20

Terminals: 4 x 2.5mm².

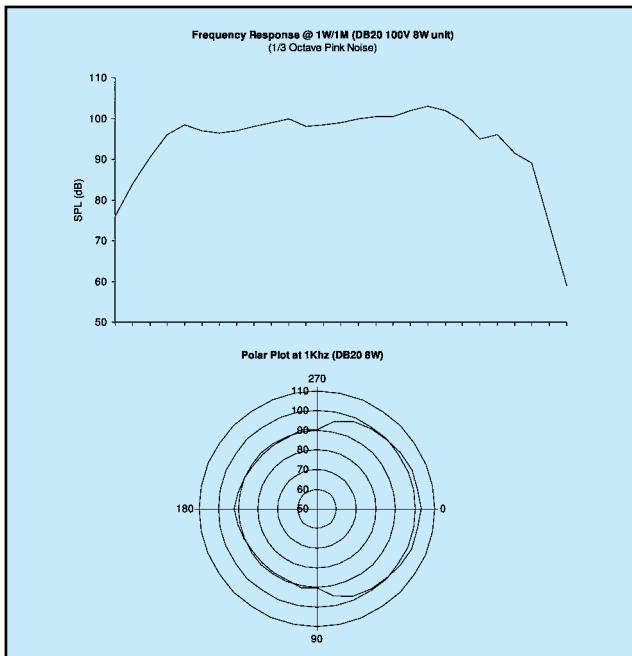
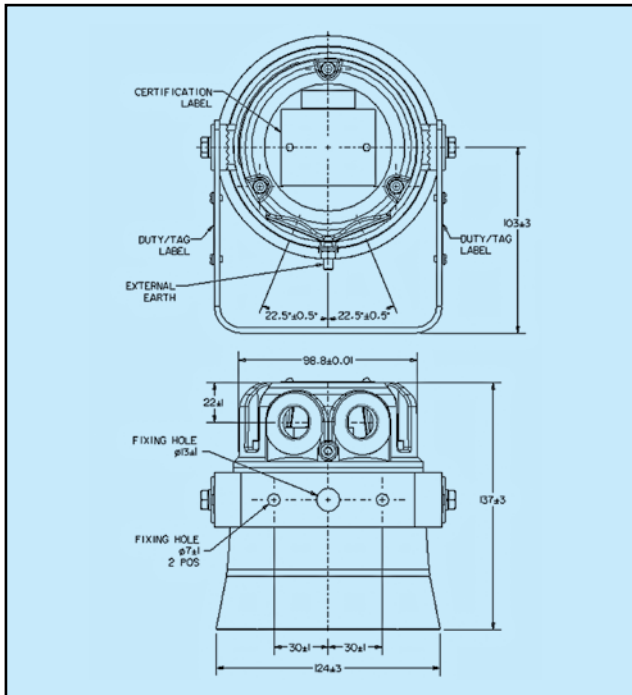
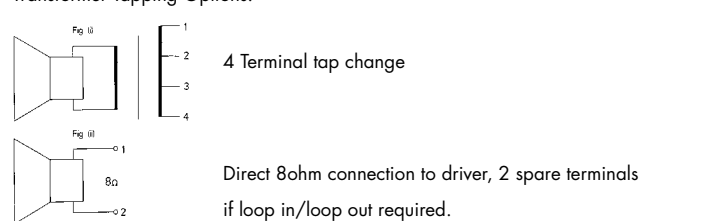
Earth Continuity: Available

Mounting: Via stirrup with ratchet facility.

Labels: Optional stainless steel tag and duty labels.

Cable Entries: ATEX & IEC 2 x M20 ISO + 1 x certified plug

Transformer Tapping Options:



Ordering Requirements

Certification	Max Rated Power	Transformer	Options	Finish																																														
DB20																																																		
<table border="1"> <thead> <tr> <th>Certification</th> <th>Code</th> </tr> </thead> <tbody> <tr><td>ATEX IIB</td><td>BB</td></tr> <tr><td>ATEX IIC</td><td>BC</td></tr> <tr><td>IEC Ex IIB</td><td>JB</td></tr> <tr><td>IEC Ex IIC</td><td>JC</td></tr> <tr><td>Inmetro IIB</td><td>MB</td></tr> <tr><td>Inmetro IIC</td><td>MC</td></tr> <tr><td>Weatherproof</td><td>W</td></tr> </tbody> </table>	Certification	Code	ATEX IIB	BB	ATEX IIC	BC	IEC Ex IIB	JB	IEC Ex IIC	JC	Inmetro IIB	MB	Inmetro IIC	MC	Weatherproof	W	<table border="1"> <thead> <tr> <th>Power</th> <th>Code</th> </tr> </thead> <tbody> <tr><td>8 Watts</td><td>8</td></tr> <tr><td>4 Watts</td><td>4</td></tr> </tbody> </table>	Power	Code	8 Watts	8	4 Watts	4	<table border="1"> <thead> <tr> <th>Transformer</th> <th>Code</th> </tr> </thead> <tbody> <tr><td>Transformer</td><td>X*</td></tr> <tr><td>8ohm version</td><td>N</td></tr> </tbody> </table> <p>*ATEX = 100V Line 70V Line available please specify</p>	Transformer	Code	Transformer	X*	8ohm version	N	<table border="1"> <thead> <tr> <th>Option</th> <th>Code</th> </tr> </thead> <tbody> <tr><td>None</td><td>N</td></tr> <tr><td>Duty label</td><td>D</td></tr> <tr><td>Tag label</td><td>T</td></tr> <tr><td>Earth continuity</td><td>E</td></tr> </tbody> </table>	Option	Code	None	N	Duty label	D	Tag label	T	Earth continuity	E	<table border="1"> <thead> <tr> <th>Option</th> <th>Code</th> </tr> </thead> <tbody> <tr><td>Natural Black</td><td>N</td></tr> <tr><td>Red</td><td>R</td></tr> <tr><td>Special</td><td>S</td></tr> </tbody> </table>	Option	Code	Natural Black	N	Red	R	Special	S
Certification	Code																																																	
ATEX IIB	BB																																																	
ATEX IIC	BC																																																	
IEC Ex IIB	JB																																																	
IEC Ex IIC	JC																																																	
Inmetro IIB	MB																																																	
Inmetro IIC	MC																																																	
Weatherproof	W																																																	
Power	Code																																																	
8 Watts	8																																																	
4 Watts	4																																																	
Transformer	Code																																																	
Transformer	X*																																																	
8ohm version	N																																																	
Option	Code																																																	
None	N																																																	
Duty label	D																																																	
Tag label	T																																																	
Earth continuity	E																																																	
Option	Code																																																	
Natural Black	N																																																	
Red	R																																																	
Special	S																																																	



All the above specifications, dimensions, weights and tolerances are nominal (typical) and MEDC reserve the right to vary all data without prior notice. No liability is accepted for any consequence of use