



## DB20C Range | Ceiling Speakers

Standard 4 Watts. Exd, Weatherproof

**This range of Ceiling-Mounted loudspeakers, intended for use in potentially explosive atmospheres, has a power rating of up to 8 Watts (upon request) and is suitable for use in the harsh environmental conditions found offshore and onshore in the oil, gas and petrochemical industries.**

Certification Standards



**ATEX**

**IECEX**



**GOST**

**ATEX Approved**  II 2GD

Zone 1 & 2 and Zone 21 & 22 use

IIC Gas Group and Dust approved

BASEEFA certified

GOST 'R' & 'K' certified

Brazilian (Inmetro) certified

IECEX Approved

IP66 & IP67

Certified temperature  $-50^{\circ}\text{C}$  to  $+70^{\circ}\text{C}$ \*

GRP and Flame-Retardant ABS corrosion-free construction

100dB (A) at 1 watt at 1 metre

Power tapplings via integral transformer

Tool-free mounting method

100V or 70V line versions available

Earth continuity available

\*Temperature class relates to ambient temperature (see over)

The lightweight, patented design provides self-supporting and self-locking mounting onto a ceiling tile from 0.5 to 55mm thick. The speaker is held in the mount via a twist-fit support and locking grille, giving access from above or below and allowing first fit of either ceiling or speakers. The DB20C's compact design will fit a ceiling cavity of limited space and its aesthetically pleasing appearance will enhance the surroundings.



# Specification

Rated Power: 4 Watts RMS continuous (at 25°C).  
 Certification: EN60079-0, 1, 7  
 IEC60079-0, 1, 7 and IEC 61241-0, 1  
 BASEEFA Cert. No. BASEEFA 05 ATEX0199X

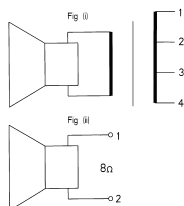
II 2GD Ex de IIC T4/T5\*  
 Ex tD A21 IP66/67 T130°C  
 Zone 1 & 2 and Zone 21 & 22  
 \*See Certified temperature below  
 GOST 'R' Certification: 2Exde IIC T4  
 GOST 'K' Certification: Exde IIC T4  
 Brazilian (Inmetro) Certified: BR-Ex de IIC T5/115°C

Material: Body & Cover - Natural black, UV stable, glass reinforced polyester.  
 Outer flare - UV stable ABS.  
 Finish: Natural ABS finish equivalent to RAL9010.  
 Output: Maximum output at 1W/1M is 100 dB(A)  
 Maximum output at 4W/1M is 106 dB(A)  
 \*Other wattages available contact MEDC sales for details.  
 Weight: 1.5kg approx.  
 Certified Temperature: T<sub>amb</sub> -50°C to +70°C (T4) and T<sub>amb</sub> -50°C to +40°C (T5)  
 Ingress Protection: IP66 & IP67  
 Frequency Range: 400Hz to 7kHz.  
 Voice Coil Impedence: 8 ohms.  
 Transformer: Used by combining the rated power tapings below.

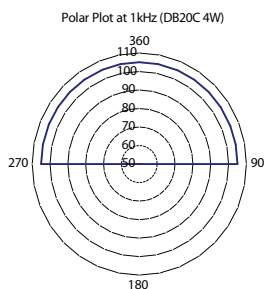
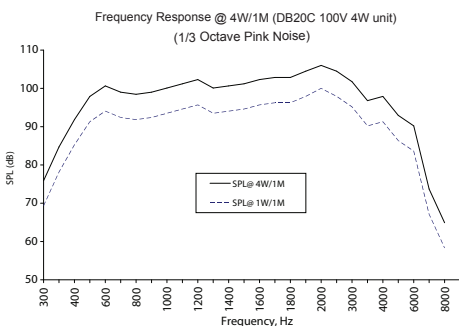
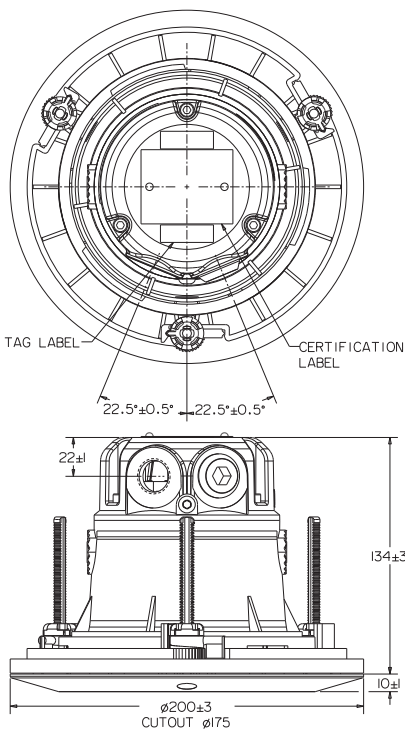
Transformer Tappings	Power (Watts)
1:2	4.00
2:3	2.00
3:4	1.00
1:3	0.75
2:4	0.38
1:4	0.20

Terminals: 4 x 2.5mm<sup>2</sup>.  
 Earth Continuity: Available via optional earthing stud.  
 Mounting: Via integral ceiling-mount bezel.  
 Cable Entries: ATEX & IEC 2 x M20 ISO + 1 x certified plug.  
 Ceiling Cutout: Ø175mm.

## Transformer Tapping Options:



Direct 8ohm connection to driver, 2 spare terminals if loop in/loop out required.



## Ordering Requirements

Certification		Transformer		Options	
<b>DB20C</b>					
Certification	Code	Transformer	Code	Option	Code
ATEX IIC	BC	Transformer	X*	None	N
IEC Ex IIC	JC	8ohm version	N	Tag label	T
Inmetro IIC	MC	*100V Line Std 70V Line available please specify		Earth continuity	E
GOST R IIC	GC				
GOST K IIC	KC				