

SPEAKERS – Up to 15 Watts EEx nA, Weatherproof DB19



Introduction

This music quality projector loudspeaker, intended for use in Zone 2, potentially explosive gas and dust atmospheres, has a power rating of up to 15 Watts and is suitable for use in all gas groups including hydrogen.

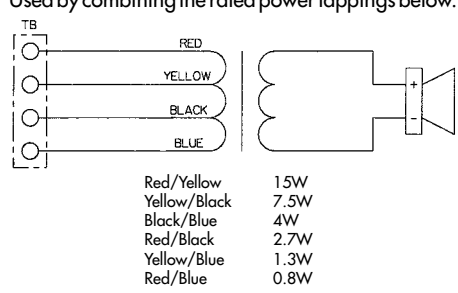
Designed for optimum sound reproduction, this rugged loudspeaker is ideal for PA and background music systems in industrial and commercial environments.

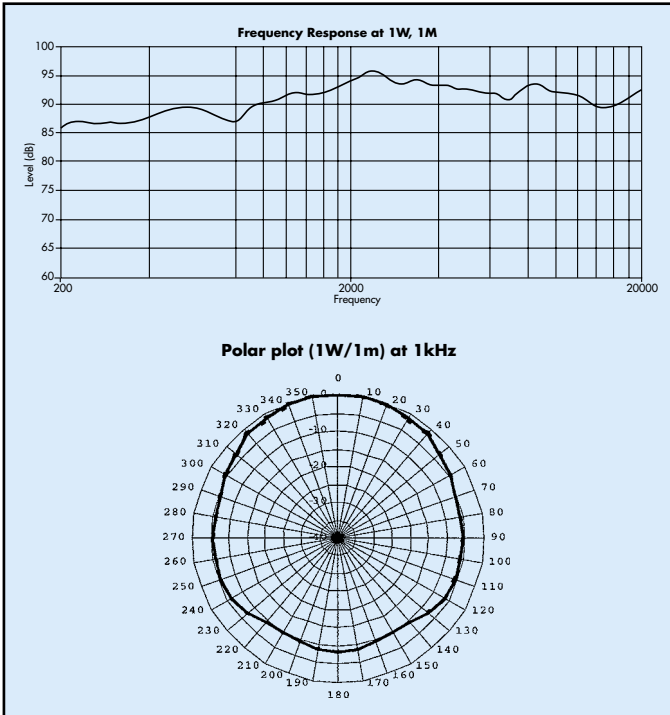
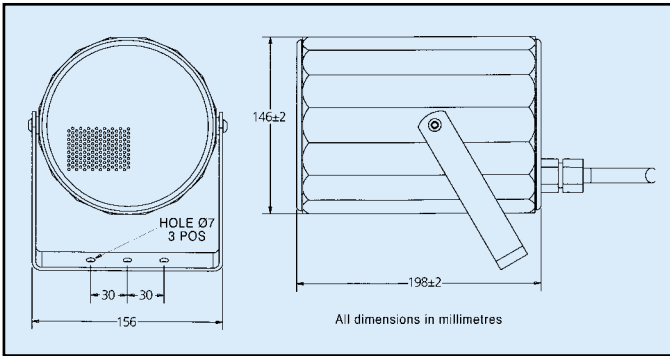
The body is manufactured in aluminium and powder coat finished to RAL 9010. Stainless steel screws and mounting stirrup are incorporated to ensure a corrosion-resistant product.

- ★ Zone 2 use.
- ★ EEx n II T4.
- ★ ATEX compliant, Ex II 3 GD.
- ★ BASEEFA tested.
- ★ IP54.
- ★ Ambient temperature -55°C to +55°C.
- ★ 104dbA at 15 Watts at 1 metre.
- ★ Power tapings via integral transformer.
- ★ Stainless steel mounting stirrup.
- ★ Aluminium body.
- ★ 100V line or 8Ω versions.

MEDC

Specification

Rated Power:	15 watts RMS continuous (at 25°C).												
Compliance:	CENELEC EN50014, 21. EEx nA II T 135°C (-55°C to +55°C) T4, Zone 2.												
Material:	Body in aluminium. Mounting stirrup and fixtures in stainless steel.												
Finish:	Powder coated white to RAL 9010 as standard – can be painted to client's requirements.												
Output:	Maximum output at 1W/1m at 900Hz is 92 dBA. Maximum output at 15W/1m at 900Hz is 104 dBA.												
Weight:	2.4kg approx.												
Ambient Temperature:	-55°C to +55°C.												
Ingress Protection:	IP54.												
Frequency Range:	120Hz to 20kHz.												
Voice Coil Impedance:	8 ohms.												
Transformer:	Used by combining the rated power tapings below.												
	 <table border="1"> <tr> <td>Red/Yellow</td> <td>15W</td> </tr> <tr> <td>Yellow/Black</td> <td>7.5W</td> </tr> <tr> <td>Black/Blue</td> <td>4W</td> </tr> <tr> <td>Red/Black</td> <td>2.7W</td> </tr> <tr> <td>Yellow/Blue</td> <td>1.3W</td> </tr> <tr> <td>Red/Blue</td> <td>0.8W</td> </tr> </table>	Red/Yellow	15W	Yellow/Black	7.5W	Black/Blue	4W	Red/Black	2.7W	Yellow/Blue	1.3W	Red/Blue	0.8W
Red/Yellow	15W												
Yellow/Black	7.5W												
Black/Blue	4W												
Red/Black	2.7W												
Yellow/Blue	1.3W												
Red/Blue	0.8W												
Cable Entry:	M20 gland.												
Terminals:	4 x 2.5mm ² .												
Mounting:	Via stirrup.												
Dispersion at 1000Hz:	130.												
Degrees° Conical													
Input Impedance (ohms)	12.5k, 7.7k, 3.7k, 2.5k, 1.3k, 666.												



Ordering Requirements

The following code is designed to help in the selection of the correct unit. Build up the reference number by inserting the code for each component into the appropriate box. **Standard product, available ex-stock, as follows:**

Product	Description
DB19XW	EEx nA II compliant, 15 Watt, 100V line transformer, white to RAL 9010.

DB19	Transformer	Finish																
	<input type="checkbox"/>	<input type="checkbox"/>																
	<table border="1"> <thead> <tr> <th>Transformer</th> <th>Code</th> </tr> </thead> <tbody> <tr> <td>Yes</td> <td>X*</td> </tr> <tr> <td>None</td> <td>N</td> </tr> <tr> <td colspan="2">*Standard 100V.</td> </tr> </tbody> </table>	Transformer	Code	Yes	X*	None	N	*Standard 100V.		<table border="1"> <thead> <tr> <th>Colour</th> <th>Code</th> </tr> </thead> <tbody> <tr> <td>White to RAL 9010</td> <td>W</td> </tr> <tr> <td>Special</td> <td>S*</td> </tr> <tr> <td colspan="2">*Please specify</td> </tr> </tbody> </table>	Colour	Code	White to RAL 9010	W	Special	S*	*Please specify	
Transformer	Code																	
Yes	X*																	
None	N																	
*Standard 100V.																		
Colour	Code																	
White to RAL 9010	W																	
Special	S*																	
*Please specify																		



All the above specifications, dimensions, weights and tolerances are nominal (typical) and MEDC reserve the right to vary all data without prior notice. No liability is accepted for any consequence of use.