

SPEAKERS – Up to 15 Watts EEx nA, Weatherproof DB18



Introduction

This loudspeaker, intended for use in Zone 2, potentially explosive gas and dust atmospheres, has a power rating of up to 15 Watts and is suitable for use in all gas groups including hydrogen.

The flare and body are manufactured from a UV stable glass reinforced polyester. Stainless steel screws and mounting stirrup are incorporated to ensure a corrosion-free product.

- ★ Zone 2 use.
- ★ EEx n II T4.
- ★ ATEX compliant, Ex II 3 GD.
- ★ BASEEFA tested.
- ★ IP66 & 67.
- ★ Ambient temperature -55°C to +55°C.
- ★ 117dbA at 15 Watts at 1 metre.
- ★ Power tapings via integral transformer.
- ★ Stainless steel ratcheted swivel mounting stirrup.
- ★ Stainless steel fixtures.

MEDC

Specification

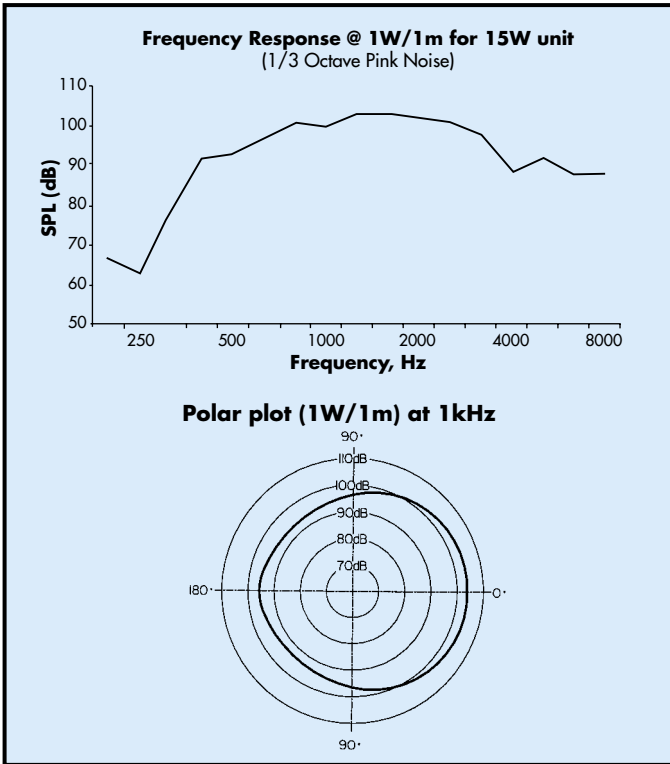
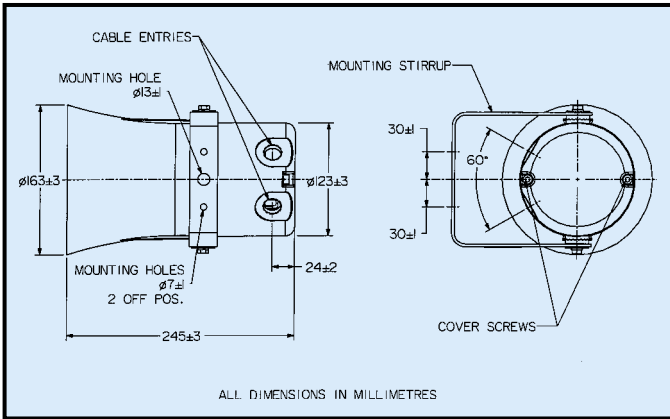
Rated Power:	15 watts RMS continuous (at 25°C).
Compliance:	CENELEC EN50014, 21. EEx nA II T 135°C (-55°C to +55°C) T4, Zone 2.
Material:	Body & horn in anti-static, UV stable, glass reinforced polyester. Mounting stirrup and fixtures in stainless steel.
Finish:	All natural or body and horn can be painted to client requirements.
Output:	Maximum output at 1W/1m at 900Hz is 107 dBA. Maximum output at 15W/1m at 900Hz is 117 dBA.
Weight:	2.6kg approx.
Ambient Temperature:	-55°C to +55°C.
Ingress Protection:	IP66 & IP67.
Fire Retardancy:	GRP is fire retardant to ISO 1210.
Frequency Range:	400Hz to 7kHz.
Voice Coil Impedance:	8 ohms.
Transformer:	Used by combining the rated power tapplings below.

Transformer Tappings	Power 15W
1:2	15.0
2:3	7.5
3:4	5.0
1:3	4.0
2:4	2.0
1:4	0.8

Transformer Options:

- Standard: i) Loop in/Loop out (4 x 2) power tap change; 8 terminals.
- Optional: ii) Loop in/loop out (2 x 2) 8 ohm; 4 terminals.
iii) 4 terminal tap change with 2 terminals (5 & 6), directly connected to driver (8 ohms).

Terminals:	Up to 8 x 2.5mm ² .
Earth Continuity:	Available.
Mounting:	Via stirrup with ratchet facility.
Labels:	Optional stainless steel tag and duty labels.
Cable Entries:	2 x M20 ISO.



Ordering Requirements

The following code is designed to help in the selection of the correct unit. Build up the reference number by inserting the code for each component into the appropriate box. **Standard product, available ex-stock, as follows:**

Product	Description
DB18XNN	EEx nA II compliant, 15 Watt, 100V line transformer, 2 x M20 entries, natural black finish

Transformer	Option	Colour																												
<p>DB18</p> <p>Transformer</p> <table border="1"> <thead> <tr> <th>Transformer</th> <th>Code</th> </tr> </thead> <tbody> <tr> <td>Yes</td> <td>X*</td> </tr> <tr> <td>Transformer and 8 ohm terminals (direct to driver)</td> <td>X8</td> </tr> <tr> <td>None</td> <td>N</td> </tr> </tbody> </table> <p>*Standard 100V Other voltages available, specify voltage.</p>	Transformer	Code	Yes	X*	Transformer and 8 ohm terminals (direct to driver)	X8	None	N	<p>Option</p> <table border="1"> <thead> <tr> <th>Option</th> <th>Code</th> </tr> </thead> <tbody> <tr> <td>Duty label</td> <td>D*</td> </tr> <tr> <td>Tag label</td> <td>T*</td> </tr> <tr> <td>Earth continuity</td> <td>E</td> </tr> <tr> <td>Blanking Plug</td> <td>P</td> </tr> <tr> <td>None</td> <td>N</td> </tr> </tbody> </table> <p>*Please specify wording</p>	Option	Code	Duty label	D*	Tag label	T*	Earth continuity	E	Blanking Plug	P	None	N	<p>Colour</p> <table border="1"> <thead> <tr> <th>Colour</th> <th>Code</th> </tr> </thead> <tbody> <tr> <td>Natural Black</td> <td>N</td> </tr> <tr> <td>Red</td> <td>R</td> </tr> <tr> <td>Special</td> <td>S*</td> </tr> </tbody> </table> <p>*Please specify</p>	Colour	Code	Natural Black	N	Red	R	Special	S*
Transformer	Code																													
Yes	X*																													
Transformer and 8 ohm terminals (direct to driver)	X8																													
None	N																													
Option	Code																													
Duty label	D*																													
Tag label	T*																													
Earth continuity	E																													
Blanking Plug	P																													
None	N																													
Colour	Code																													
Natural Black	N																													
Red	R																													
Special	S*																													



All the above specifications, dimensions, weights and tolerances are nominal (typical) and MEDC reserve the right to vary all data without prior notice. No liability is accepted for any consequence of use.