

SPEAKERS – Up to 30 Watts EExde, Weatherproof DB16 Range



Introduction

This range of loudspeakers, intended for use in potentially explosive gas and dust atmospheres, has a power rating of up to 30 Watts and is suitable for use in the harsh environmental conditions found offshore and onshore in the oil, gas and petrochemical industries.

With an integral increased safety chamber, for termination, this unit offers both high output and easy installation.

In addition, the 25 Watt version still offers superior output with a higher ambient certified temperature (+65°C).

The flamepaths, flare and body, are manufactured from a UV stable glass reinforced polyester. Stainless steel screws and mounting stirrup are incorporated to ensure a corrosion-free product.

- ★ Zone 1, Zone 2 & non-Ex use.
- ★ EExde IIB/IIC, T3/T4*.
- ★ ATEX approved, Ex II 2G/Ex II 2GD*.
- ★ BASEEFA certified.
- ★ UL listed for USA and Canada
 - Hazardous locations:
 - Class I, Div 2, Groups A-D*
 - Class I, Zone 1, AExde IIB/IIC T3/T4*
 - Ordinary locations: Signalling Speaker
- ★ GOST 'K' certified.
- ★ Brazilian (Inmetro) Certified.
- ★ IP66 and IP67.
- ★ Certified temperature –50°C to +65°C*.
- ★ GRP corrosion-free flamepath.
- ★ Up to 122dBA at 30 Watts at 1 metre*.
- ★ 25 and 30 Watt versions.
- ★ Power tapings via integral transformer.
- ★ Ratcheted swivel mounting stirrup.
- ★ Stainless steel fixtures.
- ★ 100V line or 8 ohm versions available.

*Model dependent.

MEDC

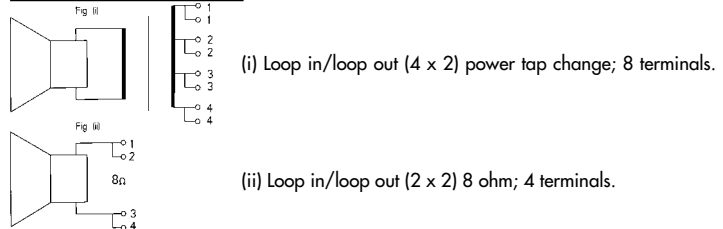
Specification

Rated Power: 30 Watts RMS continuous (at 25°C).
Certification: CENELEC EN50014, 18, 19.
IIB Version: Cert. No. Baseefa04ATEX0166X
30 Watt ATEX Ex II 2G EExde IIB T3 (Tamb. -50°C to +40°C)
25 Watt ATEX Ex II 2G EExde IIB T3 (Tamb. -50°C to +65°C)
IIC Version: Cert. No. Baseefa04ATEX0167X
30 Watt ATEX Ex II 2GD EExde IIC T110°C (Tamb. -50°C to +40°C)
25 Watt ATEX Ex II 2GD EExde IIC T110°C (Tamb. -50°C to +65°C)
Zones 1 and 2.
UL Listed for USA and Canada
 - Hazardous locations:
 Class I, Div 2, Groups C & D, Class I, Zone 1, AExde IIB T3
 Class I, Div 2, Groups A-D, Class I, Zone 1, AExde IIC T110°C
 - Ordinary locations: Signalling Speaker.
GOST 'K' Certification: Exde IIC T4/IIB T3.
Brazilian (Inmetro) Certification: BR-Ex de IIB T3.
 BR-Ex de IIC T5.

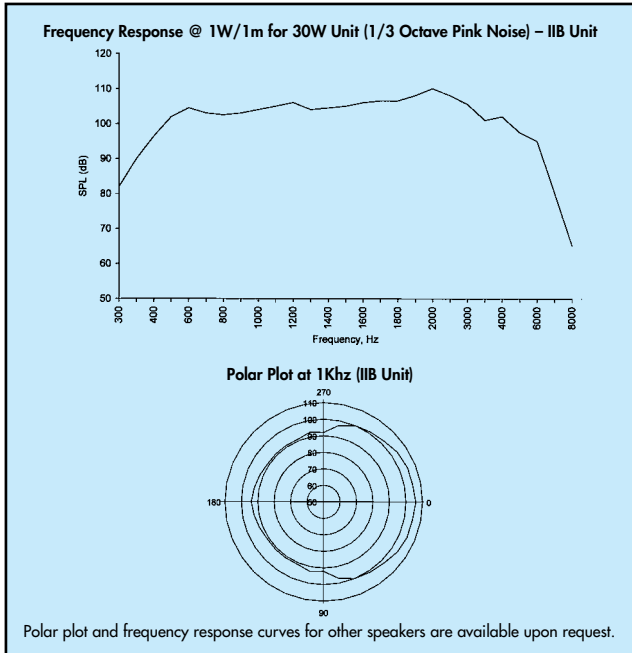
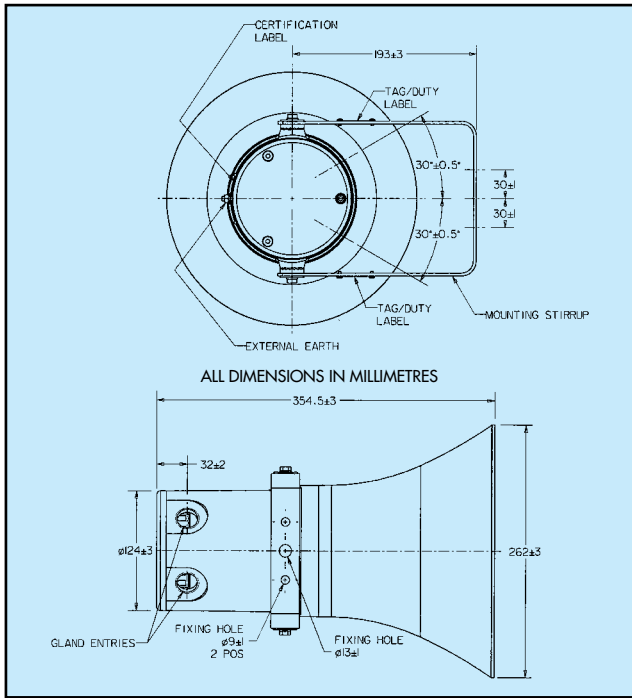
Material: Body & horn in anti-static, UV stable, glass reinforced polyester. Mounting stirrup and fixtures in stainless steel.
Finish: All natural or body and horn can be painted to client's requirements.
Output: IIB Version: Maximum output at 1W/1m is 110dBA
 Maximum output at 25W/1m is 121dBA
 Maximum output at 30W/1m is 122dBA
 IIC Version: Maximum output at 1W/1m is 107dBA
 Maximum output at 25W/1m is 118dBA
 Maximum output at 30W/1m is 119dBA
Weight: 5.5kg approx.
Certified Temperature: -50°C to +40°C (30W version) -50°C to +65°C (25W version).
Ingress Protection: IP66 & IP67.
Frequency Range: 370Hz to 8kHz.
Voice Coil Impedance: 8 ohms.
Transformer: Used by combining the rated power tapings below.

Transformer Tappings	Power (30W unit) (W)	Power (25W unit) (W)
1:2	30.0	25
2:3	25.0	12.5
3:4	12.0	6.0
1:3	6.0	4.0
2:4	4.0	2.0
1:4	2.0	1.0

Transformer Tapping Options:



Terminals: 8 x 2.5mm².
Earth Continuity: Available via optional earthing stud or by internal earth plate.
Mounting: Via stirrup with ratchet facility.
Labels: Optional stainless steel tag and duty labels.
Cable Entries: Up to 2 x M20, 2 x M25 ISO, 2 x 1/2" NPT or 2 x 3/4" NPT into termination (EExe) chamber.



Ordering Requirements

The following code is designed to help you in the selection of the correct unit. Build up the reference number by inserting the code for each feature into the appropriate box. **For standard products available ex-stock, contact sales office for details.**

DB16 Certification Max Rated Power Transformer Options Entries Finish

Certification	Code	Max Rated Power	Code	Transformer	Code	Option	Code	Entries	Code	Option	Code
ATEX IIB	BB	30 Watts	30	Yes	X*	None	N	1 x M20	1B	Natural Black	N
ATEX IIC	BC	25 Watts	25*	No	N	Duty label	D	2 x M20	2B	Red	R
UL (C & D)*	UB			*Std 100V. Other voltages available, specify voltage.			Tag label	1 x M25	1C	Special	S
UL (A-D)†	UC					Internal earth continuity	E	2 x M25	2C		
UL (ordinary locations)	UW					Earth stud	B	1 x 1/2" NPT	1M		
GOST 'K' IIB	KB							2 x 1/2" NPT	2M		
GOST 'K' IIC	KC							1 x 3/4" NPT	1N		
Inmetro IIB	MB							2 x 3/4" NPT	2N		
Inmetro IIC	MC							To specify certified plug, suffix appropriate code with 'P', e.g. 2BP is 2 x M20 entries with one certified plug.			

Unit suitable for gas groups. *C & D †A-D



All the above specifications, dimensions, weights and tolerances are nominal (typical) and MEDC reserve the right to vary all data without prior notice. No liability is accepted for any consequence of use.