

SOUNDERS – Up to 117dB(A) for Harsh Industrial & Marine Environments DB15 Range

IP66/67 Weatherproof
Corrosion Free All GRP



Introduction

This range of sounders have been specially designed for use in demanding industrial and marine environments where a robust construction and high ingress protection rating is required.

The body is manufactured completely from a UV stable glass reinforced polyester which is also highly flame retardant and impact resistant. Stainless steel screws are incorporated thus ensuring a corrosion free product.

MEDC can also provide a range of sounders suitable for use in potentially explosive atmospheres.

For more information, refer to the catalogue or contact MEDC.

- ★ IP66 and IP67.
- ★ Temperature range -55°C to $+70^{\circ}\text{C}$.
- ★ Corrosion resistant grey painted GRP.
- ★ Up to 117dB(A) output.
- ★ 27 user selectable tones.
- ★ Tones may be programmed to customer's specification.
- ★ Stainless steel ratcheted mounting bracket.
- ★ Earth continuity available.
- ★ Paint finish to customer requirement.
- ★ Available compliant to AFNOR NFS 32 001.



Specification

Material: Body & horn in UV stable, glass reinforced polyester.
Swivel bracket in stainless steel.
Cover screws in stainless steel.

Finish: Epoxy paint coated to client's colour requirements.

Sound Output: DB15 117dB(A) Maximum.

Volume Control: Integral volume control

*Nominal Output (dBa)	Input Current (mA)
100	150
105	250
108	350
110	450
112	550

*Output measured with 24V input voltage. Tone set to 970Hz continuous.

Weight: 2.6kg approx. dependent on model.

Temperature Range: -55°C to +70°C.

Ingress Protection: IP66 and IP67.

Voltage: Up to 48V d.c. Up to 254V a.c.

V	I
12V d.c.	900mA
24V d.c.	600mA
48V d.c.	280mA
110V a.c.	150mA
120V a.c.	175mA
220V a.c.	93mA
240V a.c.	86mA
254V a.c.	80mA

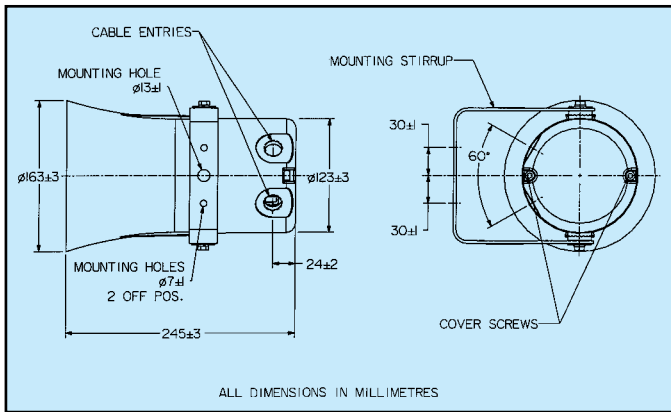
Terminals: 4 x 2.5mm² (a.c.), 6 x 2.5mm² (d.c.).

Earth Continuity: Available.

Mounting: Stainless steel bracket with ratchet facility.

Labels: Duty and tag labels optional.

Cable Entries: 2 x 20mm ISO.



Tone Selection

DB15: 27 user selectable tones available.
Additional 5 tones may be programmed.

DB15P (Two stage unit): Switchable between any two of the 27 tones by either:
(i) Reversing the polarity of the supply, or
(ii) by a 3 wire common +ve system, switching between the two -ve lines.

Note: Two stage unit available in d.c. versions (DB15P) only.

AFNOR NF S 32 001 compliant version available – contact sales office.

Ordering Requirements

The following code is designed to help in the selection of the correct unit. Build up the reference number by inserting the code for each component in the appropriate box. **Standard products, available ex-stock, as follows:**

PRODUCT	DESCRIPTION
DB15P048NG	DB15P Two Stage Sounder up to 117dB(A), 24V-48V d.c., choice of 27 tones, 2 x 20mm entries, grey painted GRP.
DB15P048NR	DB15P Two Stage Sounder up to 117dB(A), 24V-48V d.c., choice of 27 tones, 2 x 20mm entries, red painted GRP.
DB15240NG	DB15 Sounder up to 117dB(A), 240V a.c., choice of 27 tones, 2 x 20mm entries, grey painted GRP.
DB15240NR	DB15 Sounder up to 117dB(A), 240V a.c., choice of 27 tones, 2 x 20mm entries, red painted GRP.

Unit Type

DB15
DB15P

Voltage

Voltage	Code
12V d.c.	012
24V-48V d.c.	048
*110V a.c.	110
*120V a.c.	120
*220V a.c.	220
*240V a.c.	240
*254V a.c.	254
*DB15P not available in a.c. version.	

Options

Option	Code
Duty	D*
Tag	T*
Earth Continuity	E
End of Line Resistor R†	
Blanking Plug	P
None	N
*Please specify wording	
†Specify value	

Colour

Colour	Code
Painted Grey	G
Red	R
Special	S*
*Please specify	



All the above specifications, dimensions, weights and tolerances are nominal (typical) and MEDC reserve the right to vary all data without prior notice. No liability is accepted for any consequence of use.