

# SOUNDERS – Up to 110 dB(A) for Harsh Industrial & Marine Environments DB12 Range

<b>IP66/67</b> <b>Weatherproof</b>
<b>Corrosion Free</b> <b>All GRP</b>



## Introduction

This range of sounders has been specially designed for use in demanding industrial and marine environments where a robust construction and high ingress protection rating is required.

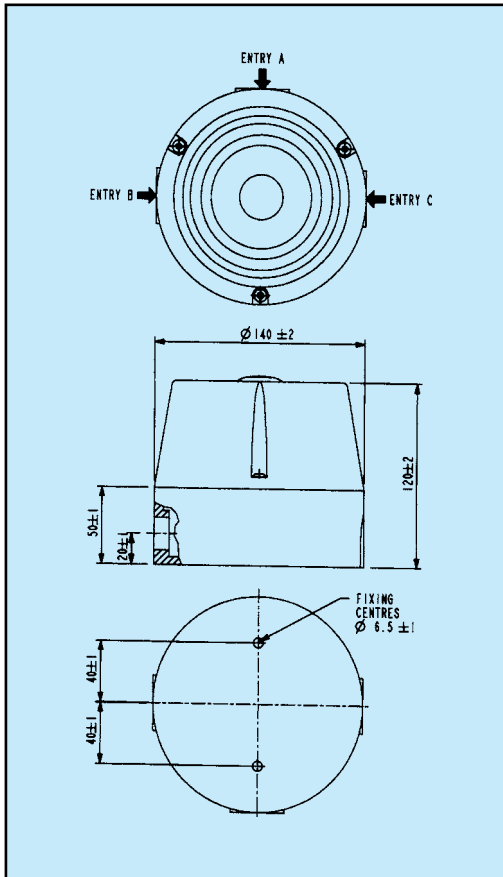
The body is manufactured completely from a UV stable glass reinforced polyester which is also highly flame retardant and impact resistant. Stainless steel screws are incorporated thus ensuring a corrosion free product.

**MEDC can also provide a range of sounders suitable for use in potentially explosive atmospheres.**

**For more information, refer to the catalogue or contact MEDC.**

- ★ IP66 & IP67.
- ★ Operating temperature  $-55^{\circ}\text{C}$  to  $+70^{\circ}\text{C}$ .
- ★ Corrosion resistant red painted GRP.
- ★ Up to 110 dB(A) output.
- ★ 27 tones, user selectable.
- ★ Tones comply with UKOOA/PFEER guidelines.
- ★ Any two tones may be switched by the external voltage supply (d.c. version).
- ★ Retained stainless steel cover screws.
- ★ Available compliant to AFNOR NF S 32 001.

# MEDC



## Specification

Material: UV stable glass reinforced polyester. Retained stainless steel cover screws.  
 Finish: Painted red as standard or to customer's specification.  
 Sound Output: 107 ± 3dB(A) at 1 metre.  
 Typical value only – variable with tone.

Volume Control: Integral volume control.

*Nominal Output (dBa)	Input Current (mA)
92	60
100	70
104	80
109	90

\*Output measured with 24V input voltage. Tone set to 2850Hz continuous.

Tone Selection:

Single Stage DB12: 27 user selectable tones.

Two stage Unit DB12P: Switchable between any two tones by either:

- (i) Reversing the polarity of the supply, or
- (ii) by a 3 wire common +ve system, switching between the two -ve lines.

Note: Two stage unit available in d.c. versions only.

Weight: 1.0 kg. d.c., 1.2kg a.c.

Operating Temperature: -55°C to +70°C.

Ingress Protection: IP66 & IP67.

Voltage: DC: 12V, 24V. AC: 115/230V.

Current Consumption: 24V operation 55mA - 100mA. 115V operation 8.5mA - 14mA.  
 12V operation 55mA - 90mA. 230V operation 4.5mA - 7mA.

Terminals: 6 x 2.5mm<sup>2</sup>.

Labels: Duty and tag labels available.

Cable Entries: Up to 3 x M20 via knockouts.

AFNOR NF S 32 001 compliant version available – contact sales office for details.

## Ordering Requirements

The following code is designed to help in selection of the correct unit. Build up the reference number by inserting the code for each component into the appropriate box. **Standard product, available ex-stock, as follows:**

Product	Description
<b>DB12P024NR</b>	Weatherproof, 110dB(A), 24V d.c., two stage sounder, 27 tones, painted red GRP.
<b>DB12115NR</b>	Weatherproof, 110dB(A), 115-230V a.c., single stage sounder, 27 tones, painted red GRP.

Unit Type		Voltage		Labels		Colour	
Type	Details	Voltage	Code	Label	Code	Colour	Code
DB12	Standard Unit	12V d.c.	012	Duty	D*	Painted Red	R
DB12P	Two Stage (d.c. only)	24V d.c.	024	Tag	T*	Special	S*
		115/230V a.c.	115	None	N	*Please specify	
				*Please specify wording			



All the above specifications, dimensions, weights and tolerances are nominal (typical) and MEDC reserve the right to vary all data without prior notice. No liability is accepted for any consequence of use.