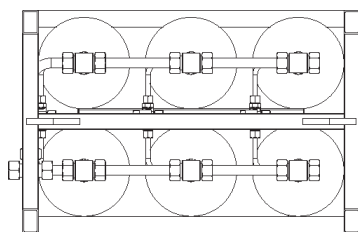
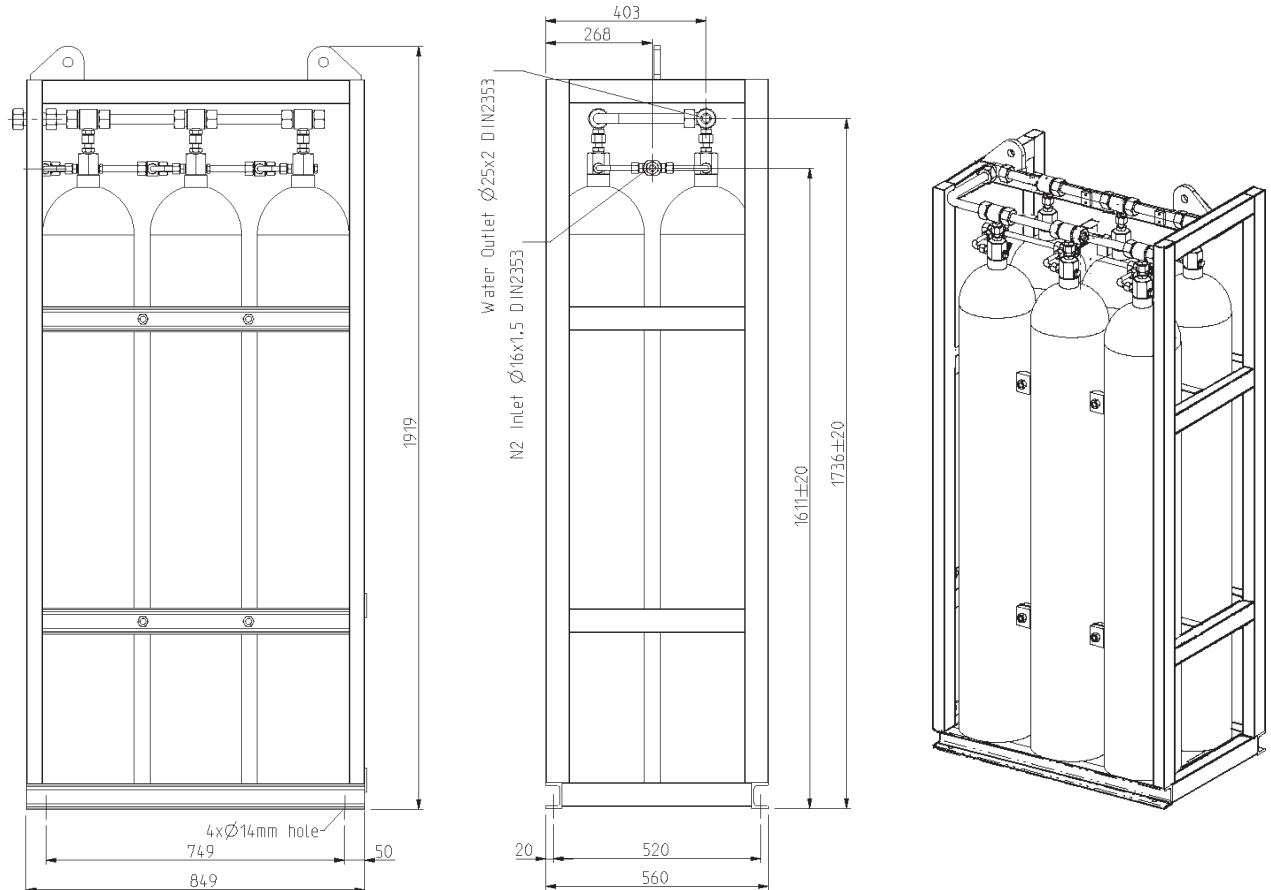
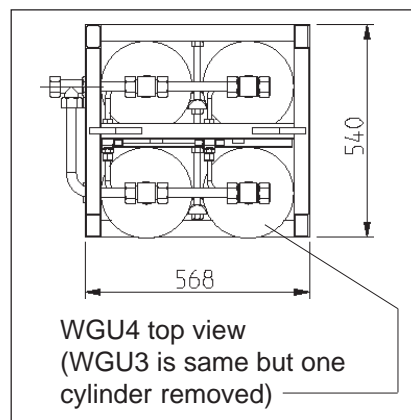


Water cylinder rack for GPU unit. WGU6 is shown in main drawing.

Max. working pressure 200 bar.



Water cylinder á 50 L
mass (dry) 67 kg
mass (filled) 117 kg



Product	Model	Line Diagram no.	Parts list
E62217	WGU3	DH DUWA000666	THPUWA000666
E62218	WGU4		
E62220	WGU6		