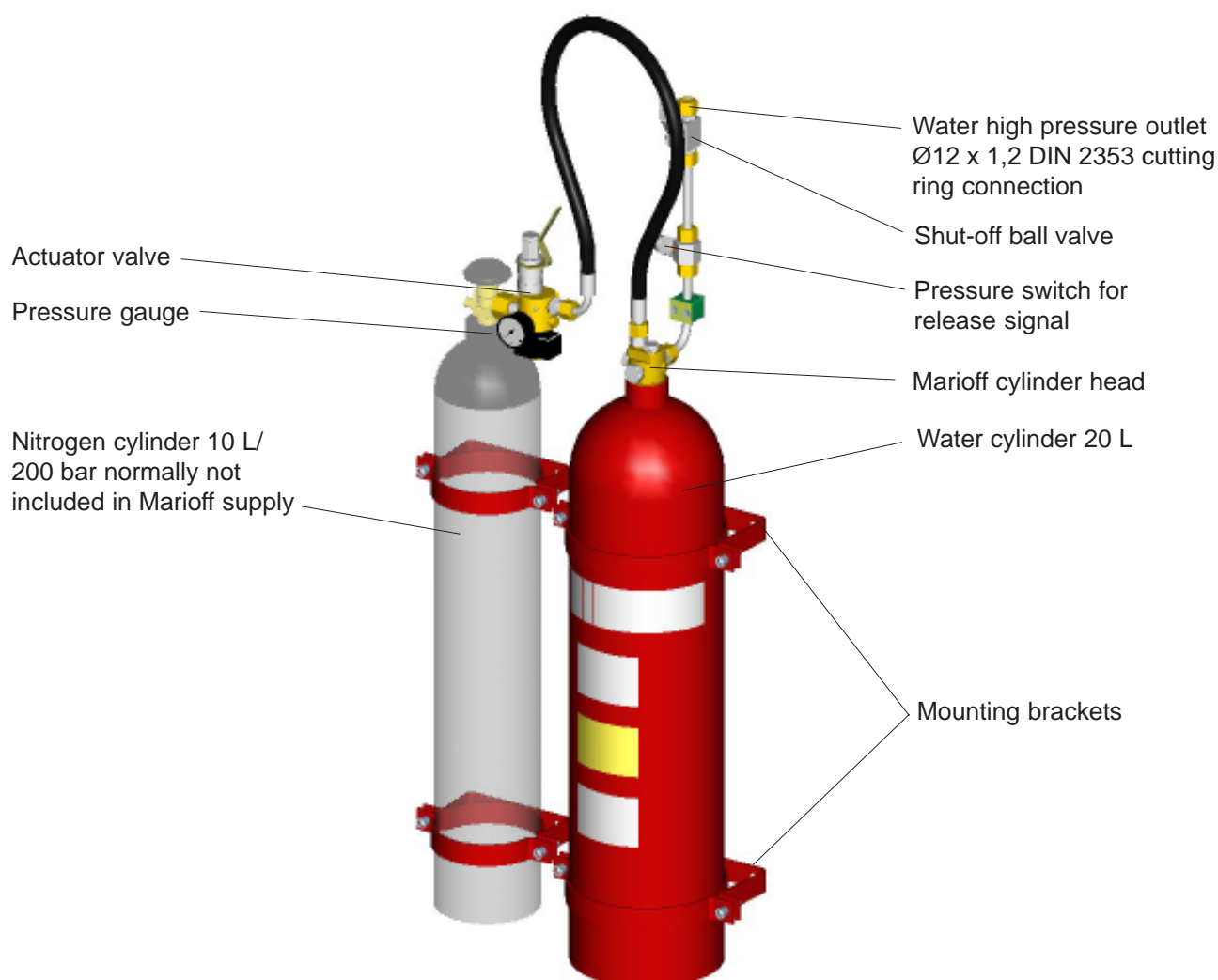




Kitchen Accumulator Unit KAU-20

Stock code E21474

22 Aug 2006



Model	Length [mm]	Width [mm]	Height [mm]	Mass (dry) [kg]	Mass (wet) [kg]	Max. output
KAU 20	218	520	~1307			20 L

Description

KAU (Kitchen Accumulator Unit) consists of water cylinder fully interconnected and powered by a pressurized nitrogen cylinder. The nitrogen cylinder is not supplied as local cylinders are recommended because of the national regulations. In stand-by situation, the water cylinder and the piping system are not pressurized. Upon actuation the unit will discharge on a continuous basis for the duration of discharge through the stainless steel piping and the HI-FOG spray heads.

The system activation can be done remotely or manually depending on the actuator valve. Once released, the nitrogen forces the water from cylinders to piping system and to spray heads. The discharge is normally designed for a 10 minute period.

For further information, see related documents: Dimensional Drawing no. DHAUKA000011A





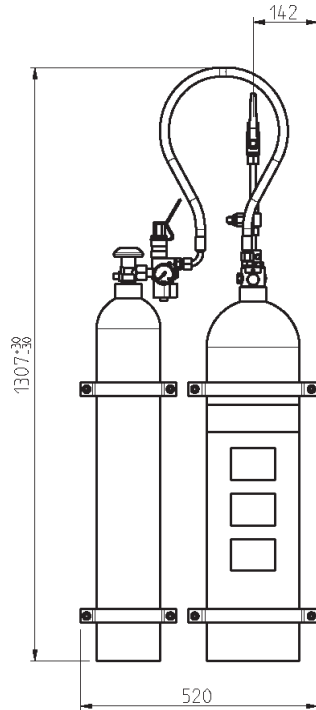
HI-FOG®

Kitchen Accumulator Unit KAU-20

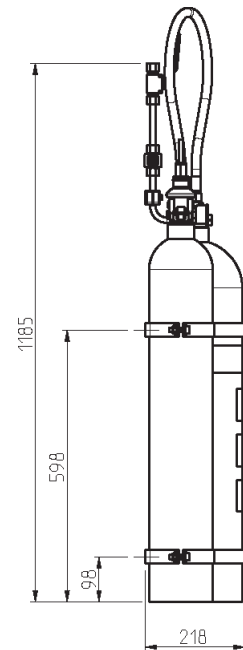
Stock code E21474

22 Aug 2006

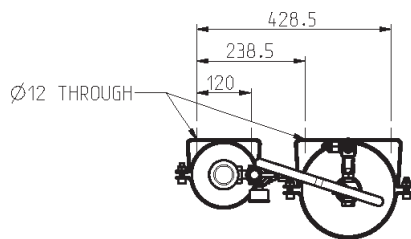
Front view



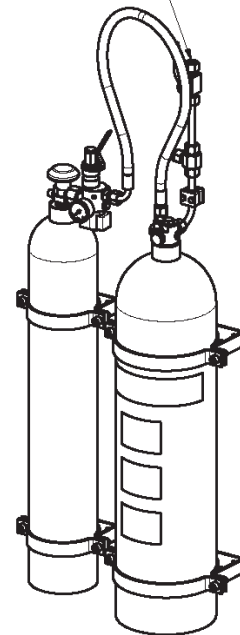
Side view



Top view



HIGH PRESSURE OUTLET



EXTERNAL PIPING CONNECTIONS

CONNECTION	TYPE / DIMENSION
HIGH PRESSURE OUTLET	Ø12X1.2 DIN2353 CUTTING-RING FITTING

