

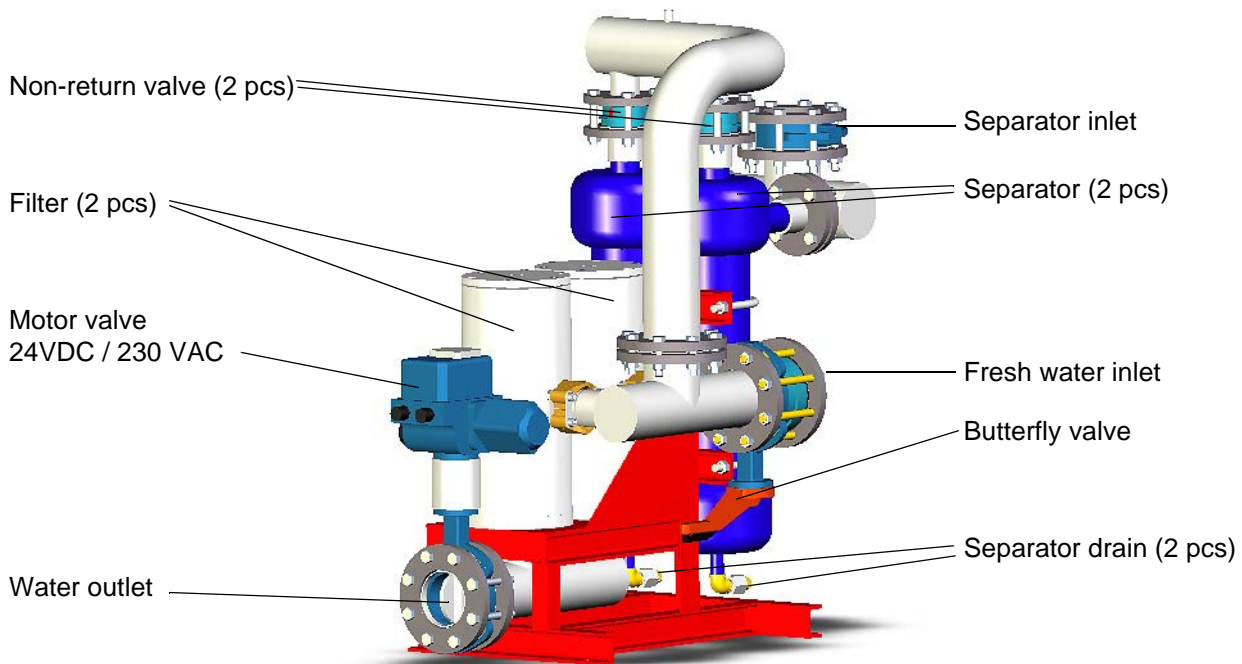
# Filter/separator unit for SPU pump units

Product E01536

12 Jun 2009

## Description

The filter/separator unit E01536 with a stainless steel (AISI 316) filter is used with the SPU pump units. The material of the filter unit frame is painted steel (S235). The capacity of the filter unit is 1000 l/min and dry mass approximately 270 kg. The filter unit includes a motor valve controlled by an electric signal and adjusted in accordance with the water flow need of the pump unit.



External piping connections	
Separator inlet	DN100 DIN2642 flange PN 10
Fresh water inlet	DN100 DIN2642 flange PN 10
Water outlet	DN100 DIN2642 flange PN 10
Separator drain	ø12S DIN2353 cutting ring fitting



2316 So. 24<sup>th</sup> Street  
 Omaha, NE 68108  
 800.550.1AFP (1237) toll free  
 402.733.2800 voice  
 402.344.7469 fax  
[www.associatedfire.net](http://www.associatedfire.net)  
 E-mail: [info@associatedfire.net](mailto:info@associatedfire.net)



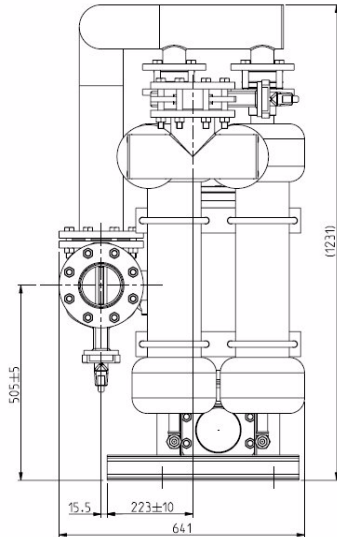
Marioff Corporation Oy • Virnatie 3 / P.O.Box 86, FI-01301 Vantaa, Finland  
 Tel. +358 (0)9 870 851 • Fax +358 (0)9 8708 5399 • [www.marioff.com](http://www.marioff.com)

# Filter/separator unit for SPU pump units

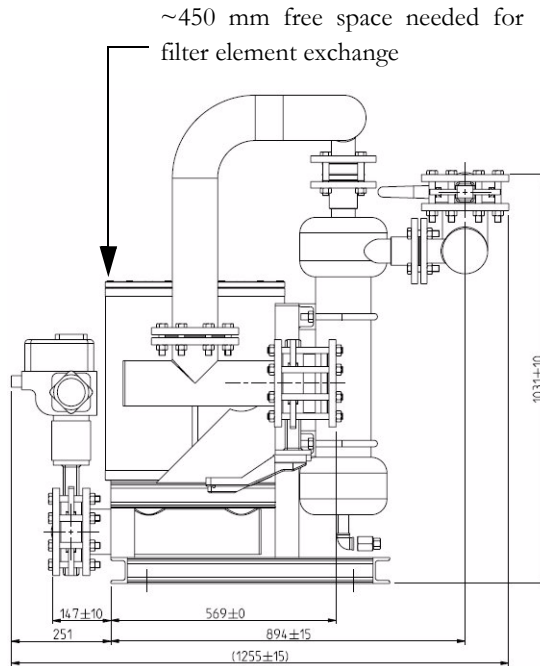
Product E01536

12 Jun 2009

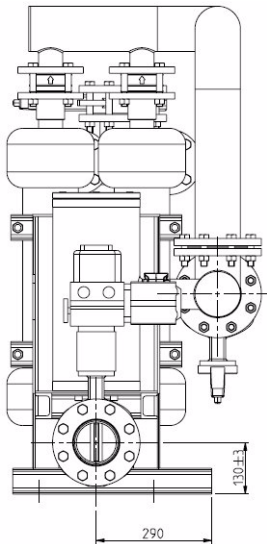
**Right side view**



**Front view**



**Left side view**



**Bottom view**

