



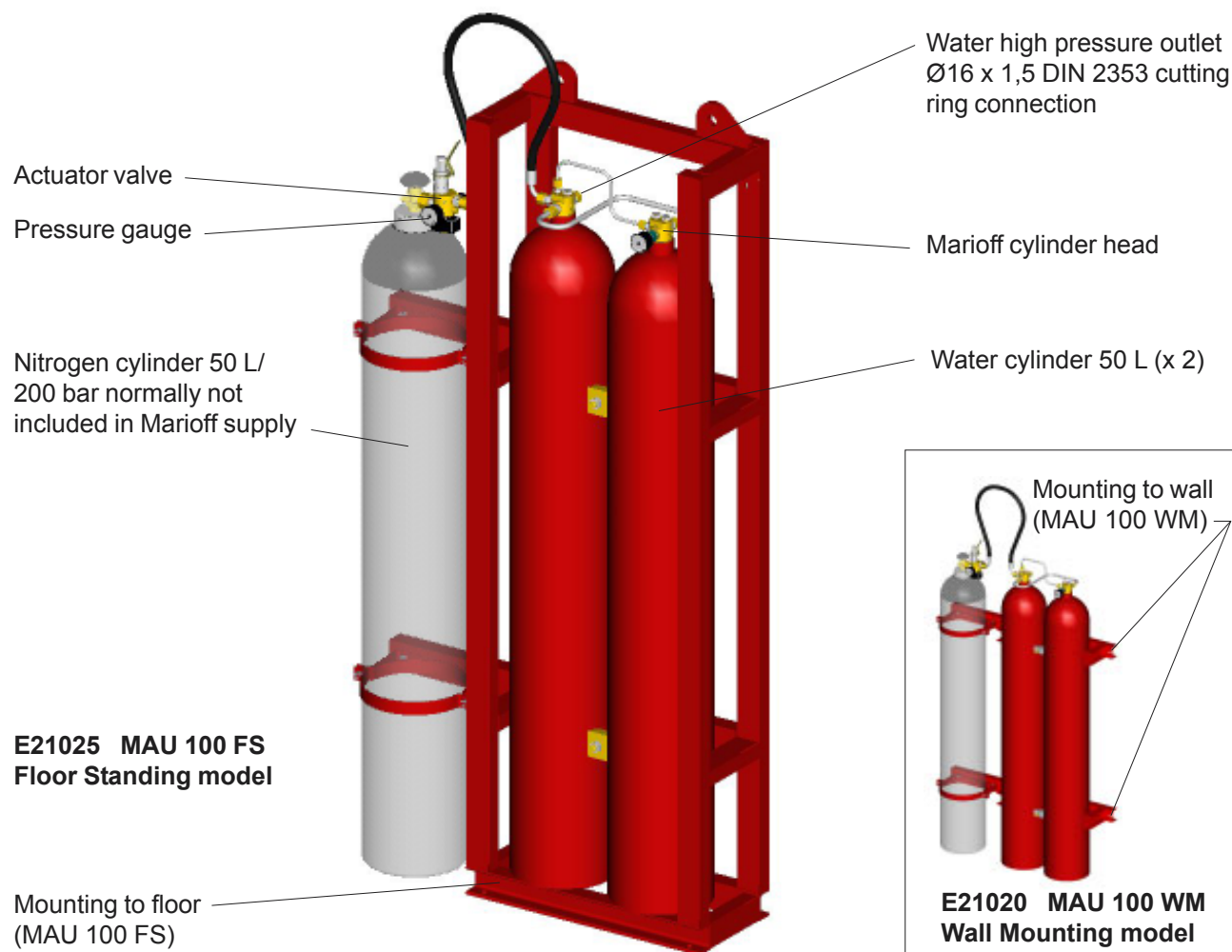
Technical Data Sheet TE1100

Machinery Space Accumulator Unit MAU 100 WM/FS

Stock codes E21019 & E2102X (X: see table below)

TA 27 Apr 2005

Type	Model	150 bar	200 bar	250 bar
Wall Mounting models	MAU 100 WM	E21021	E21020	E21019
Floor Standing models	MAU 100 FS	E21026	E21025	E21024



E21025 MAU 100 FS
Floor Standing model

E21020 MAU 100 WM
Wall Mounting model

Model	Length [mm]	Width [mm]	Height [mm]	Mass* (dry) [kg]	Mass* (wet) [kg]	Max. output
MAU 100 WM	975	284	2011	165	265	100 L
MAU 100 FS	958	284	2010	210	310	100 L

*) given mass without a gas cylinder. As an example, a full 200 bar 50 litre N₂-cylinder mass is 62 kg.

Description

MAU (Machinery space Accumulator Unit) consists of water cylinders fully interconnected and powered by a pressurized nitrogen cylinder. The nitrogen cylinder is not supplied as local cylinders are recommended because of the national regulations. In stand-by situation, the water cylinders and the piping system are not pressurized. Upon actuation the unit will discharge on a continuous basis for the duration of discharge through the stainless steel piping and the HI-FOG spray heads.

The system activation can be done remotely or manually depending on the actuator valve. Once released, the nitrogen forces the water from cylinders to piping system and to spray heads. The discharge is normally designed for a 10 minute period.

For further information, see related documents:

Dimensional Drawing no. DHAUMA000113A (MAU 100 WM)
Dimensional Drawing no. DHAUMA000109A (MAU 100 FS)

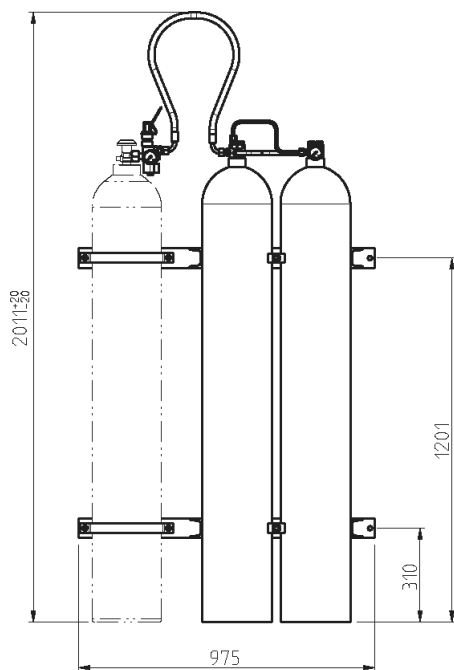


Machinery Space Accumulator Unit MAU 100 WM

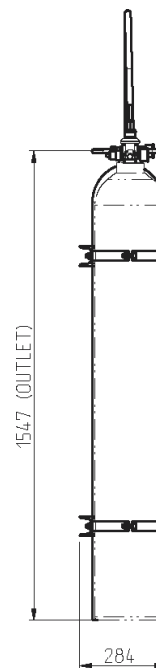
Stock codes E21019, E21020 and E21021

TA 27 Apr 2005

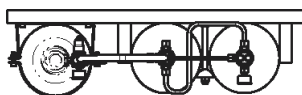
Front view



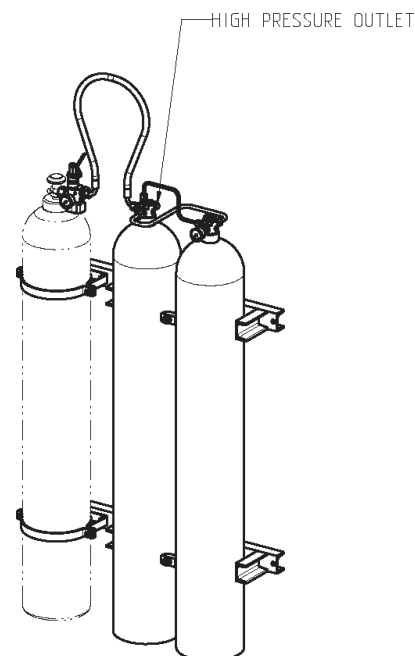
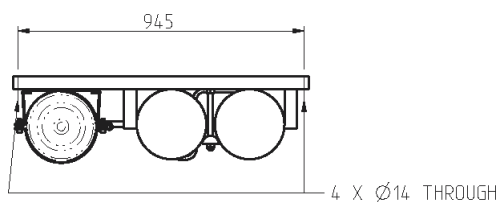
Side view



Top view



Mounting



EXTERNAL PIPING CONNECTIONS

CONNECTION	TYPE / DIMENSION
HIGH PRESSURE OUTLET	Ø16X1.5 DIN2353 CUTTING-RING FITTING





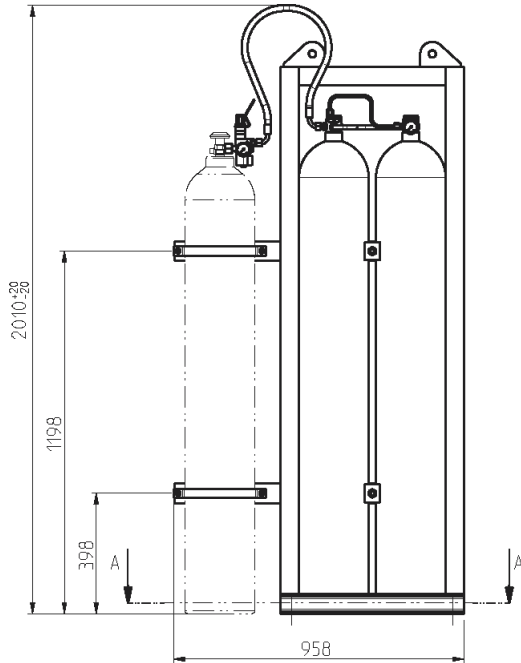
HI-FOG®

Machinery Space Accumulator Unit MAU 100 FS

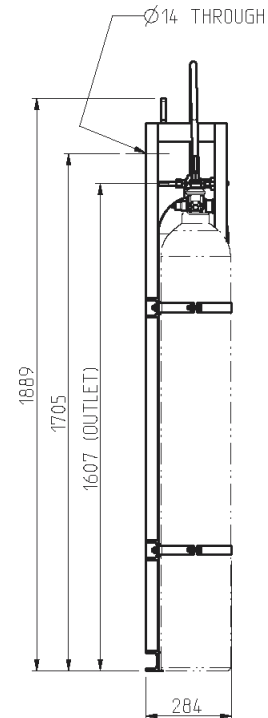
Stock codes E21024, E21025 and E21026

TA 27 Apr 2005

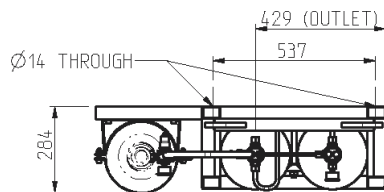
Front view



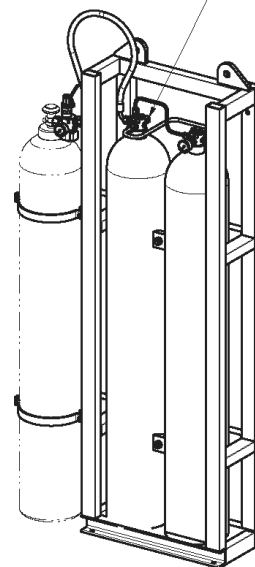
Side view



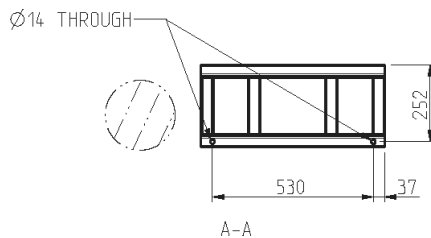
Top view



HIGH PRESSURE OUTLET



Mounting



2316 So. 24th Street
 Omaha, NE 68108
 800.550.1AFP (1237) toll free
 402.733.2800 voice
 402.344.7469 fax
 www.associatedfire.net
 E-mail: info@associatedfire.net



EXTERNAL PIPING CONNECTIONS	
CONNECTION	TYPE / DIMENSION
HIGH PRESSURE OUTLET	Ø16X1.5 DIN2353 CUTTING-RING FITTING