



DB20C Range | Ceiling Speakers

Standard 4 Watts. Exd, Weatherproof

This range of Ceiling-Mounted loudspeakers, intended for use in potentially explosive atmospheres, has a power rating of up to 8 Watts (upon request) and is suitable for use in the harsh environmental conditions found offshore and onshore in the oil, gas and petrochemical industries.

Certification Standards



ATEX

IECEX



GOST

ATEX Approved  II 2GD

Zone 1 & 2 and Zone 21 & 22 use

IIC Gas Group and Dust approved

BASEEFA certified

GOST 'R' & 'K' certified

Brazilian (Inmetro) certified

IECEX Approved

IP66 & IP67

Certified temperature -50°C to $+70^{\circ}\text{C}^*$

GRP and Flame-Retardant ABS corrosion-free construction

100dB (A) at 1 watt at 1 metre

Power tapplings via integral transformer

Tool-free mounting method

100V or 70V line versions available

Earth continuity available

*Temperature class relates to ambient temperature (see over)

The lightweight, patented design provides self-supporting and self-locking mounting onto a ceiling tile from 0.5 to 55mm thick. The speaker is held in the mount via a twist-fit support and locking grille, giving access from above or below and allowing first fit of either ceiling or speakers. The DB20C's compact design will fit a ceiling cavity of limited space and its aesthetically pleasing appearance will enhance the surroundings.



Specification

Rated Power: 4 Watts RMS continuous (at 25°C).
 Certification: EN60079-0, 1, 7
 IEC60079-0, 1, 7 and IEC 61241-0, 1
 BASEEFA Cert. No. BASEEFA 05 ATEX0199X

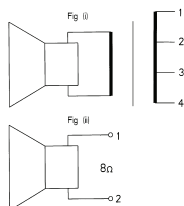
Ex II 2GD Ex de IIC T4/T5*
 Ex tD A21 IP66/67 T130°C
 Zone 1 & 2 and Zone 21 & 22
 *See Certified temperature below
 GOST 'R' Certification: 2Exde IIC T4
 GOST 'K' Certification: Exde IIC T4
 Brazilian (Inmetro) Certified: BR-Ex de IIC T5/115°C

Material: Body & Cover - Natural black, UV stable, glass reinforced polyester.
 Outer flare - UV stable ABS.
 Finish: Natural ABS finish equivalent to RAL9010.
 Output: Maximum output at 1W/1M is 100 dB(A)
 Maximum output at 4W/1M is 106 dB(A)
 *Other wattages available contact MEDC sales for details.
 Weight: 1.5kg approx.
 Certified Temperature: T_{amb} -50°C to +70°C (T4) and T_{amb} -50°C to +40°C (T5)
 Ingress Protection: IP66 & IP67
 Frequency Range: 400Hz to 7kHz.
 Voice Coil Impedence: 8 ohms.
 Transformer: Used by combining the rated power tapings below.

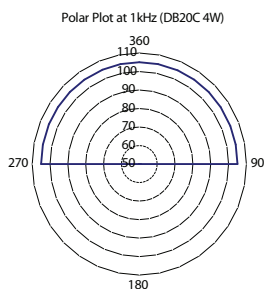
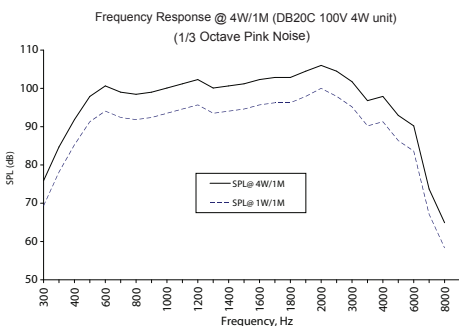
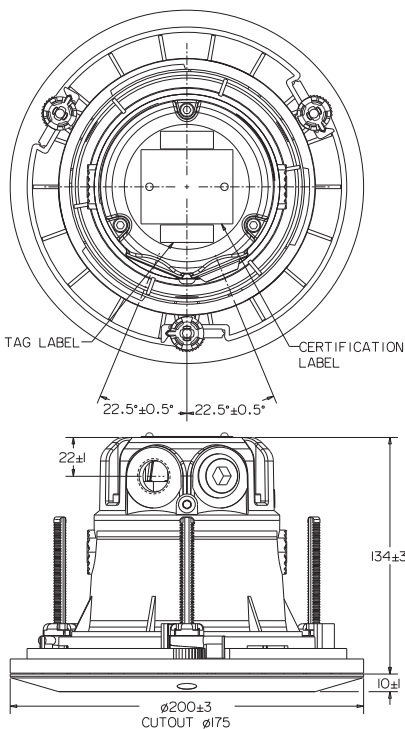
Transformer Tappings	Power (Watts)
1:2	4.00
2:3	2.00
3:4	1.00
1:3	0.75
2:4	0.38
1:4	0.20

Terminals: 4 x 2.5mm².
 Earth Continuity: Available via optional earthing stud.
 Mounting: Via integral ceiling-mount bezel.
 Cable Entries: ATEX & IEC 2 x M20 ISO + 1 x certified plug.
 Ceiling Cutout: Ø175mm.

Transformer Tapping Options:



Direct 8ohm connection to driver, 2 spare terminals if loop in/loop out required.



Ordering Requirements

Certification		Transformer		Options	
DB20C					
Certification	Code	Transformer	Code	Option	Code
ATEX IIC	BC	Transformer	X*	None	N
IEC Ex IIC	JC	8ohm version	N	Tag label	T
Inmetro IIC	MC			Earth continuity	E
GOST R IIC	GC				
GOST K IIC	KC				
		*100V Line Std 70V Line available please specify			



2316 So. 24th Street
 Omaha, NE 68108
 800.550.1AFP (1237) toll free
 402.733.2800 voice
 402.344.7469 fax
 www.associatedfire.net
 E-mail: info@associatedfire.net