

VOICE SOUNDERS – Up to 110 dB(A) EExd(e), Weatherproof DB3V Range



Sounder/Beacon
Combination Unit



Now VNIPO
Approved

Introduction

This range of light weight all GRP, flameproof voice sounders is intended for use in potentially explosive gas and dust atmospheres and has been designed with high ingress protection to cope with the harsh environmental conditions found offshore and onshore in the oil, gas and petrochemical industries.

The flamepaths, flare and the body, are manufactured completely from a UV stable glass reinforced polyester. Stainless steel screws and sinter are incorporated thus ensuring a corrosion free product. A tapered flamepath is used to overcome the problems of assembly of parallel spigot flamepaths.

This unit offers up to 20 seconds of speech which can be recorded via an integral microphone or an input from an external source. The unit incorporates a variable delay allowing speech to be repeated at equal intervals of up to approximately 15 seconds.

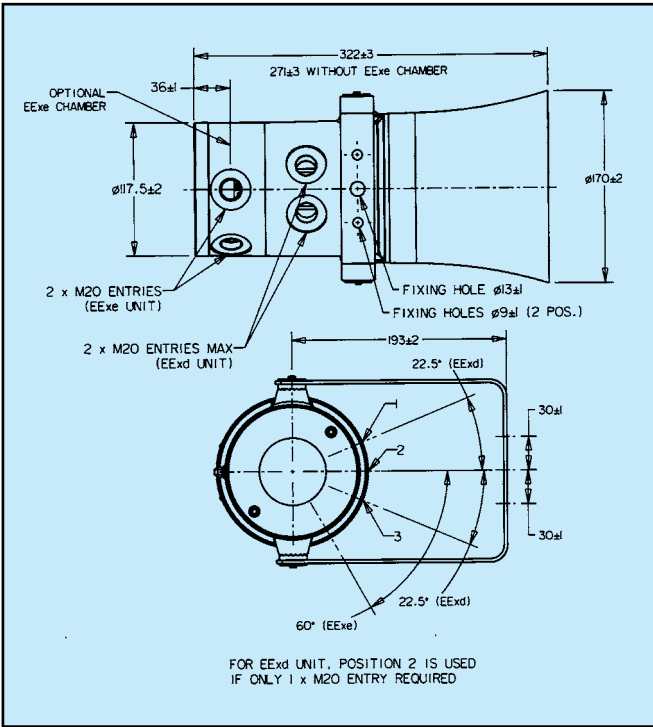
In addition, a 'mechanical bell' sound version is available.

An optional Exe terminal chamber is available.

An uncertified version is available for use in non-explosive atmospheres.

- ★ Zone 1, Zone 2 and non-Ex use.
 - ★ EExde IIC T5.
 - ★ ATEX approved, Ex II 2GD.
 - ★ Optional Exe terminal chamber.
 - ★ BASEEFA certified.
 - ★ GOST 'R' & 'K' certified.
 - ★ Chinese (CQST) certified.
 - ★ Australian (SAA) certified.
 - ★ Brazilian (Inmetro) certified.
 - ★ IP66 and IP67.
 - ★ *Certified temperature -55°C to $+70^{\circ}\text{C}$.
 - ★ All GRP corrosion free flamepaths.
 - ★ Up to 110dBA output.
 - ★ Integral volume control.
 - ★ d.c. version accepts any voltage between 12V d.c. and 48V d.c.
 - ★ End of line resistor option.
 - ★ Sounder/BeaconCombinationUnitavailable.
 - ★ Bell recording version available.
- *Depending on version.





Specification

Certification: CENELEC EN50014, 18, 19.
 BASEEFA Cert. No. BAS00ATEX2097X, EExd IIC.
 BASEEFA Cert. No. BAS00ATEX2098X, EExde IIC.
 Zones 1 and 2.
GOST 'R' Certification: 1 ExdIICT4 & 1 ExdellCT4.
 Russian Fire Alarm (VNIPO) Approved.
GOST 'K' Certification: Exd IIC T4.
Chinese (CQST) Certification: Exd IIC T4
Brazilian (Inmetro) Certification: BR-Ex d IIC T5/T4/T135°C.
 BR-Ex de IIC T5/T4/T135°C.

Material: Body & horn in anti-static, UV stable, glass reinforced polyester (GRP).
 Swivel bracket & captive cover screws in stainless steel.

Finish: Body and horn, natural black or epoxy paint coated to client's colour requirements.

Sound Output: 110dB(A) (message dependent).

Volume Control: Potentiometer

Weight: 6.0kg approx. dependent on model (+0.5kg for EEExe).

Certified Temperature:	EExd	EExde	GOST 'R' & 'K' Exd	GOST 'R' Exde	Chinese Exd
DB3V	-20°C to +70°C	-20°C to +45°C	-20°C to +50°C	-20°C to +40°C	-20°C to +55°C
DB3LV	-55°C to +55°C	-55°C to +70°C	-55°C to +55°C	-55°C to +55°C	n/a

Ingress Protection: IP66 and IP67.

Fire retardancy: GRP is fire retardant to ISO 1210.

Voltage: Up to 48V d.c.

Current Consumption:	V	I
	12V d.c.	1.2A
	24V d.c.	600mA
	48V d.c.	300mA

Terminals: 6 x 2.5mm² (d.c.).

Earth Continuity: Included on EExde version.

Mounting: Stainless steel bracket with ratchet facility.

Labels: Duty and tag labels optional.

Cable Entries: Up to 2 x 20mm EExd.
 2 x 20mm EEExe.

Voice Recording: Up to 20 seconds recording time.

Sounder/Beacon Unit: The DB3V may be combined with an MEDC beacon to create a combined voice/visual alarm.
 Contact MEDC for price and specification



2316 So. 24th Street
 Omaha, NE 68108
 800.550.1AFP (1237) toll free
 402.733.2800 voice
 402.344.7469 fax
 www.associatedfire.net
 E-mail: info@associatedfire.net

Ordering Requirements

The following code is designed to help in selection of the correct unit. Build up the reference number by inserting the code for each component into the appropriate box.

Unit Type	Certification	Options	Entries	Colour																																																		
<table border="1"> <thead> <tr> <th>Type</th> <th>Details</th> </tr> </thead> <tbody> <tr> <td>DB3V</td> <td>Voice unit</td> </tr> <tr> <td>DB3LV*</td> <td>Low temp voice unit</td> </tr> </tbody> </table> <p>*Available unpainted only.</p>	Type	Details	DB3V	Voice unit	DB3LV*	Low temp voice unit	<table border="1"> <thead> <tr> <th>Type</th> <th>Code</th> </tr> </thead> <tbody> <tr> <td>Uncertified</td> <td>W</td> </tr> <tr> <td>ATEX EExd</td> <td>D</td> </tr> <tr> <td>ATEX EExde</td> <td>E</td> </tr> <tr> <td>GOST 'R'</td> <td>DG</td> </tr> <tr> <td>GOST 'K'</td> <td>DK</td> </tr> <tr> <td>Chinese (CQST)</td> <td>Q</td> </tr> <tr> <td>Inmetro EExd</td> <td>DM</td> </tr> <tr> <td>Inmetro EExde</td> <td>EM</td> </tr> </tbody> </table>	Type	Code	Uncertified	W	ATEX EExd	D	ATEX EExde	E	GOST 'R'	DG	GOST 'K'	DK	Chinese (CQST)	Q	Inmetro EExd	DM	Inmetro EExde	EM	<table border="1"> <thead> <tr> <th>Label</th> <th>Code</th> </tr> </thead> <tbody> <tr> <td>Duty</td> <td>D*</td> </tr> <tr> <td>Tag</td> <td>T*</td> </tr> <tr> <td>End of line resistor</td> <td>E†</td> </tr> <tr> <td>Bell tone</td> <td>O</td> </tr> <tr> <td>None</td> <td>N</td> </tr> </tbody> </table> <p>*Please specify wording. †State value.</p>	Label	Code	Duty	D*	Tag	T*	End of line resistor	E†	Bell tone	O	None	N	<table border="1"> <thead> <tr> <th>Entries</th> <th>Code</th> </tr> </thead> <tbody> <tr> <td>1 x 20mm (EExd)</td> <td>1B</td> </tr> <tr> <td>2 x 20mm (EExd/EExde)</td> <td>2B</td> </tr> </tbody> </table>	Entries	Code	1 x 20mm (EExd)	1B	2 x 20mm (EExd/EExde)	2B	<table border="1"> <thead> <tr> <th>Colour</th> <th>Code</th> </tr> </thead> <tbody> <tr> <td>Natural Black</td> <td>N</td> </tr> <tr> <td>Red</td> <td>R</td> </tr> <tr> <td>Special</td> <td>S*</td> </tr> </tbody> </table> <p>*Please specify</p>	Colour	Code	Natural Black	N	Red	R	Special	S*
Type	Details																																																					
DB3V	Voice unit																																																					
DB3LV*	Low temp voice unit																																																					
Type	Code																																																					
Uncertified	W																																																					
ATEX EExd	D																																																					
ATEX EExde	E																																																					
GOST 'R'	DG																																																					
GOST 'K'	DK																																																					
Chinese (CQST)	Q																																																					
Inmetro EExd	DM																																																					
Inmetro EExde	EM																																																					
Label	Code																																																					
Duty	D*																																																					
Tag	T*																																																					
End of line resistor	E†																																																					
Bell tone	O																																																					
None	N																																																					
Entries	Code																																																					
1 x 20mm (EExd)	1B																																																					
2 x 20mm (EExd/EExde)	2B																																																					
Colour	Code																																																					
Natural Black	N																																																					
Red	R																																																					
Special	S*																																																					



All the above specifications, dimensions, weights and tolerances are nominal (typical) and MEDC reserve the right to vary all data without prior notice. No liability is accepted for any consequence of use.