

0.5 JOULE XENON BEACONS

Intrinsically Safe (EExia), Weatherproof
XB8 Range



Introduction

This range of ruggedised, intrinsically safe and weatherproof beacons, intended for use in potentially explosive atmospheres, has been designed with high ingress protection to cope with the harsh environmental conditions found offshore and onshore in the oil, gas and petrochemical industries.

The unit is available in 12V and 24V versions and for gas groups IIB or IIC.

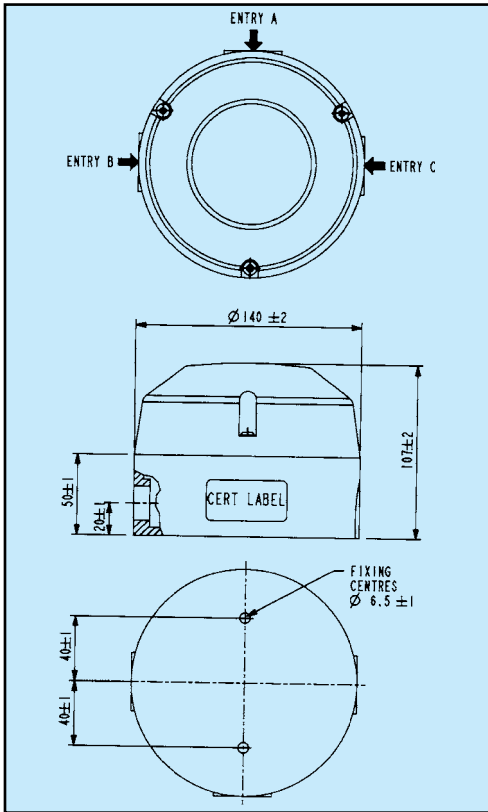
A lower cost, uncertified version is available for use in non-explosive atmospheres.

- ★ Zones 0, 1, 2 & safe area use.
- ★ EExia IIB/IIC T4.
- ★ ATEX approved, Ex II 1G.
- ★ BASEEFA certified.
- ★ GOST 'R' certified.
- ★ IP66 & IP67.
- ★ Certified temperature -55°C to $+60^{\circ}\text{C}$.
- ★ Corrosion resistant GRP body.
- ★ High intensity flash.
- ★ Clear polycarbonate lens.
- ★ Retained stainless steel cover screws.
- ★ Encapsulated electronics.



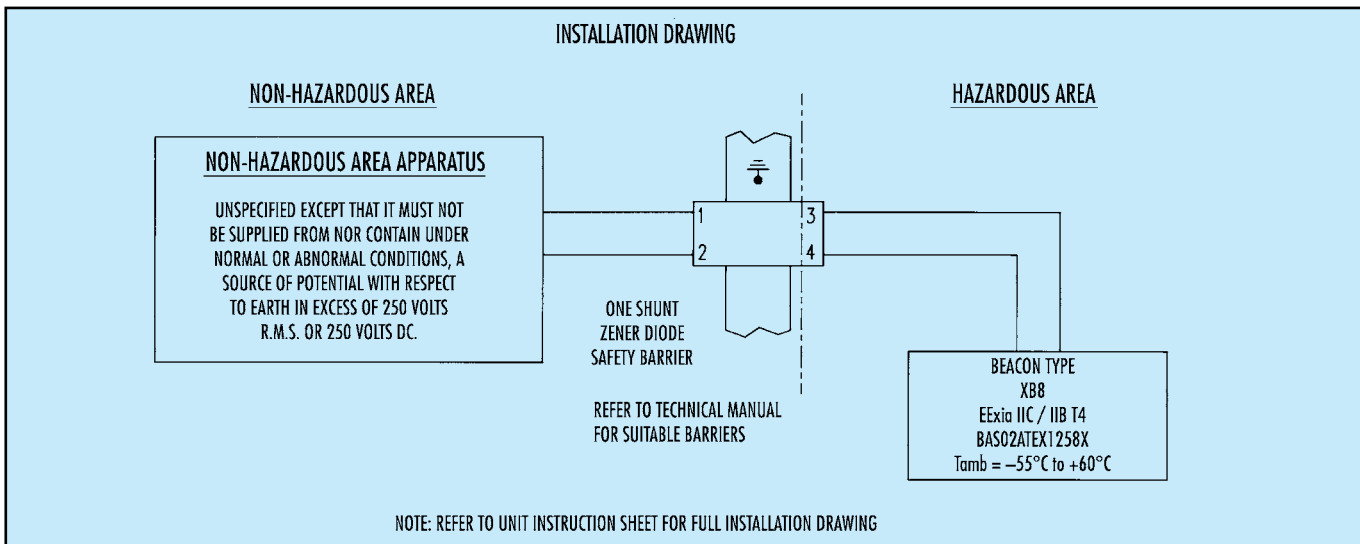
2316 So. 24th Street
Omaha, NE 68108
800.550.1AFP (1237) toll free
402.733.2800 voice
402.344.7469 fax
www.associatedfire.net
E-mail: info@associatedfire.net





Specification

Certification:	CENELEC EN50014, 20 & 39. Certificate No. BAS02ATEX1258X. EExia IIC T4 or EExia IIB T4. Zones 0, 1 & 2. GOST 'R' Certification: 0Exia IIB T4 & 0Exia IIC T4, Cert. No. A-0757.
Material:	UV stable glass reinforced polyester body. Clear polycarbonate cover/lens. Retained stainless steel cover screws.
Finish:	Painted red as standard or to Customer's specification.
Tube Energy:	IIB version 0.5 Joules. IIC version 0.4 Joules.
Weight:	1.4 kg.
Certified Temperature:	-55°C to +60°C.
Ingress Protection:	IP66 & IP67.
Tube Life:	>1 x 10 ⁶ flashes.
Voltage:	12V or 24V via suitable barrier.
Current Consumption:	24V IIB model - 71mA max. nominal. 24V IIC model - 55mA max. nominal. 12V IIB & IIC models - 52mA max. nominal.
Tube Type:	Xenon discharge.
Lens Colour:	Clear as standard. Coloured options available.
Terminals:	8 x 2.5mm ² .
Flash Rate:	1 flash per second.
Labels:	Duty and tag labels available.
Cable Entries:	Up to 3 x M20 via knockouts.



Ordering Requirements

The following code is designed to help in the selection of the correct unit. Build up the reference number by inserting the code for each component into the appropriate box. **For standard products, available ex-stock, contact sales office for details.**

Unit Type	Certification	Voltage	Lens Colour	Labels	Body Colour																																									
<input type="text" value="XB8"/>	<input type="text"/>	<input type="text"/>	<input type="text"/>	<input type="text"/>	<input type="text"/>																																									
<table style="width: 100%; border-collapse: collapse;"> <tr> <th style="width: 50%;">Certification</th> <th style="width: 50%;">Code</th> </tr> <tr> <td>BASEEFA IIB</td> <td>BB</td> </tr> <tr> <td>BASEEFA IIC</td> <td>BC</td> </tr> <tr> <td>GOST 'R' IIB</td> <td>GB</td> </tr> <tr> <td>GOST 'R' IIC</td> <td>GC</td> </tr> </table>	Certification	Code	BASEEFA IIB	BB	BASEEFA IIC	BC	GOST 'R' IIB	GB	GOST 'R' IIC	GC	<table style="width: 100%; border-collapse: collapse;"> <tr> <th style="width: 50%;">Voltage</th> <th style="width: 50%;">Code</th> </tr> <tr> <td>12V</td> <td>012</td> </tr> <tr> <td>24V</td> <td>024</td> </tr> </table>	Voltage	Code	12V	012	24V	024	<table style="width: 100%; border-collapse: collapse;"> <tr> <th style="width: 50%;">Colour</th> <th style="width: 50%;">Code</th> </tr> <tr> <td>Clear (Standard)</td> <td>C</td> </tr> <tr> <td>Special</td> <td>S*</td> </tr> <tr> <td colspan="2">*Please specify</td> </tr> </table>	Colour	Code	Clear (Standard)	C	Special	S*	*Please specify		<table style="width: 100%; border-collapse: collapse;"> <tr> <th style="width: 50%;">Label</th> <th style="width: 50%;">Code</th> </tr> <tr> <td>Duty</td> <td>D*</td> </tr> <tr> <td>Tag</td> <td>T*</td> </tr> <tr> <td>None</td> <td>N</td> </tr> <tr> <td colspan="2">*Please specify wording</td> </tr> </table>	Label	Code	Duty	D*	Tag	T*	None	N	*Please specify wording		<table style="width: 100%; border-collapse: collapse;"> <tr> <th style="width: 50%;">Colour</th> <th style="width: 50%;">Code</th> </tr> <tr> <td>Painted Red</td> <td>R</td> </tr> <tr> <td>Special</td> <td>S*</td> </tr> <tr> <td colspan="2">*Please specify</td> </tr> </table>	Colour	Code	Painted Red	R	Special	S*	*Please specify	
Certification	Code																																													
BASEEFA IIB	BB																																													
BASEEFA IIC	BC																																													
GOST 'R' IIB	GB																																													
GOST 'R' IIC	GC																																													
Voltage	Code																																													
12V	012																																													
24V	024																																													
Colour	Code																																													
Clear (Standard)	C																																													
Special	S*																																													
*Please specify																																														
Label	Code																																													
Duty	D*																																													
Tag	T*																																													
None	N																																													
*Please specify wording																																														
Colour	Code																																													
Painted Red	R																																													
Special	S*																																													
*Please specify																																														



All the above specifications, dimensions, weights and tolerances are nominal (typical) and MEDC reserve the right to vary all data without prior notice. No liability is accepted for any consequence of use.