

STEADY BEACONS EExd(e), Weatherproof SM87 LU1/3 Ranges



SM87 LU1 – Fluorescent



SM87 LU3 – Filament

Introduction

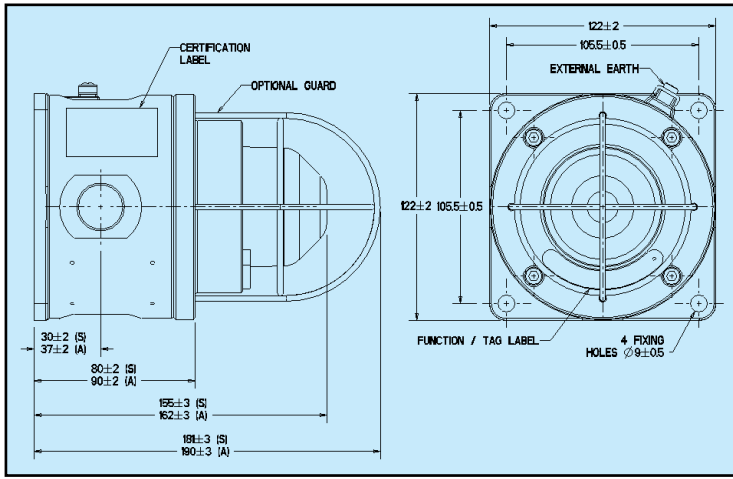
These certified steady beacons have been designed for use in harsh environmental conditions. The marine grade **stainless steel** or **alloy** enclosures are suitable for use offshore or onshore, where light weight combined with corrosion resistance and strength is required. Units can be painted to customer specification and fitted with identification labels.



2316 So. 24th Street
Omaha, NE 68108
800.550.1AFP (1237) toll free
402.733.2800 voice
402.344.7469 fax
www.associatedfire.net
E-mail: info@associatedfire.net

- ★ Zone 1 and Zone 2 use.
- ★ EExd IIC T4/T6.
- ★ *ATEX approved Ex II 2GD.
- ★ BASEEFA certified.
- ★ *UL listed for USA and Canada
 - Class I, Div. 1, Groups C & D.
 - Class I, Zone 1, AExd IIB.
- ★ *CSA certified.
- ★ *GOST 'R' & 'K' certified.
- ★ Chinese (CQST) certified.
- ★ Brazilian (Inmetro) certified.
- ★ Fluorescent.
- ★ Filament.
- ★ IP66 and IP67.
- ★ Corrosion Resistant.
- ★ Fluorescent version suitable for obstruction or warning lighting.
- ★ Optional EExe terminal chamber.
- ★ Optional guard.
- *Model dependent.





Certification: SM87LU3 – EExd IIC T4 (Filament) –55°C to +40°C.
 SM87LU1 – EExd IIC T3 (Filament) –55°C to +55°C.
 – EExd IIC T6 (Fluorescent) -20°C to +55°C.
 – EExd IIC T5 (240V).
 – EExd IIC T4 (254V).
 – Cert. No. Baseefa 03ATEX0222X.
UL Listed for USA & Canada:
 – Class I, Div. 1, Groups C & D and
 – Class I, Zone 1, Listing No. E187894.
 SM87LU1 & LU3 – CSA Certified for Class 1, Div. 1 & 2, Group D.
 Certification No. 96406.
 CENELEC – EN50014, 50018, 50019.
CSA Certification to C22.2 Nos. 0, 0.4, 0.5, 9, 30–M1986, 94–M91, 137–M1981.
 Class 1 Group D. Enclosure 3/4.
 Cert. No. 96406.
GOST 'R' Certification: 1 Exd IIC T4, Certification No. A-0756
GOST 'K' Certification: Exd ICC T4,
Chinese (CQST) Certification: Exd IIC T4/T5/T6 (LU1 & LU3 only).
Brazilian (Inmetro) Certification: BR-Ex d IIC T3/T4/T5/T6

Specification

Models: SM87 LU1 – Fluorescent, EExd & UL Listed, CSA & GOST Certified.
 SM87 LU3 – Filament, EExd & UL Listed, CSA & GOST Certified.

Voltage: 24, 48V d.c., 110V 220V 240V 254V a.c.
 50Hz as standard. 60Hz available if required.

Fluorescent: 10 Watt tube light output 600 Lumens (240V + 254V a.c. versions).
 5 Watt tube max. light output 250 Lumens (d.c. versions & 110V a.c.).

Filament: Single filament fitted as standard 10 watts.
 Others may be available, please contact MEDC with your requirements.

Terminals: 4 off for up to 2.5mm² cable.

Entries: SM87 LU1 – Up to 3 x 20mm or 25mm (not on RHS).
 SM87 LU3 – Up to 4 x 20mm or 25mm.

Material: Grade 316 ANC4B Stainless Steel or Aluminium Alloy LM25TF with glass lens.

Weight: Stainless Steel – 3.8kg each.
 Alloy – 2.5kg.

Finish: Epoxy paint finish as standard or to customer's specification.

Power: 7 Watts for 24V d.c., 48V d.c., 110V a.c., 220V a.c.
 Consumption: 14 Watts for 240V a.c. (LU1)
 15 Watts for 254V a.c.

Ordering Requirements

The following code is designed to help in the selection of the correct unit. Build up the reference number by inserting the code for each component into the appropriate box.

Model	Certification	Voltage	Lens colour	Lens Guard	Entries	Tag/Duty Label	Unit Finish																																																																																																		
<input type="text"/>	<input type="text"/>	<input type="text"/>	<input type="text"/>	<input type="text"/>	<input type="text"/>	<input type="text"/>	<input type="text"/>																																																																																																		
<table border="1"> <thead> <tr> <th>Type</th> <th>Code</th> </tr> </thead> <tbody> <tr> <td>Fluorescent EExd (Alloy)†</td> <td>SM87LU1A</td> </tr> <tr> <td>Fluorescent EExd (Stainless Steel)*</td> <td>SM87LU1S</td> </tr> <tr> <td>Filament EExd (Alloy)†</td> <td>SM87LU3A</td> </tr> <tr> <td>Filament EExd (Stainless Steel)*</td> <td>SM87LU3S</td> </tr> </tbody> </table>	Type	Code	Fluorescent EExd (Alloy)†	SM87LU1A	Fluorescent EExd (Stainless Steel)*	SM87LU1S	Filament EExd (Alloy)†	SM87LU3A	Filament EExd (Stainless Steel)*	SM87LU3S	<table border="1"> <thead> <tr> <th>Certification</th> <th>Code</th> </tr> </thead> <tbody> <tr> <td>ATEX</td> <td>B</td> </tr> <tr> <td>UL Listed</td> <td>UL</td> </tr> <tr> <td>CSA Certified</td> <td>C</td> </tr> <tr> <td>GOST 'R' Certified</td> <td>G</td> </tr> <tr> <td>GOST 'K' Certified</td> <td>K</td> </tr> <tr> <td>Chinese (CQST)</td> <td>Q</td> </tr> <tr> <td>Inmetro</td> <td>DM</td> </tr> </tbody> </table>	Certification	Code	ATEX	B	UL Listed	UL	CSA Certified	C	GOST 'R' Certified	G	GOST 'K' Certified	K	Chinese (CQST)	Q	Inmetro	DM	<table border="1"> <thead> <tr> <th>Voltage</th> <th>Code</th> </tr> </thead> <tbody> <tr> <td>24V d.c.</td> <td>024</td> </tr> <tr> <td>48V d.c.</td> <td>048</td> </tr> <tr> <td>110V a.c.</td> <td>110</td> </tr> <tr> <td>220V a.c.</td> <td>220</td> </tr> <tr> <td>240V a.c.</td> <td>240</td> </tr> <tr> <td>254Va.c.</td> <td>254</td> </tr> </tbody> </table>	Voltage	Code	24V d.c.	024	48V d.c.	048	110V a.c.	110	220V a.c.	220	240V a.c.	240	254Va.c.	254	<table border="1"> <thead> <tr> <th>Colour</th> <th>Code</th> </tr> </thead> <tbody> <tr> <td>Red</td> <td>R</td> </tr> <tr> <td>Blue</td> <td>B</td> </tr> <tr> <td>Green</td> <td>G</td> </tr> <tr> <td>Amber</td> <td>A</td> </tr> <tr> <td>Yellow</td> <td>Y</td> </tr> <tr> <td>Clear</td> <td>C</td> </tr> </tbody> </table>	Colour	Code	Red	R	Blue	B	Green	G	Amber	A	Yellow	Y	Clear	C	<table border="1"> <thead> <tr> <th>Guard</th> <th>Code</th> </tr> </thead> <tbody> <tr> <td>None</td> <td>N</td> </tr> <tr> <td>Yes</td> <td>Y</td> </tr> </tbody> </table>	Guard	Code	None	N	Yes	Y	<table border="1"> <thead> <tr> <th>Entries</th> <th>Code</th> </tr> </thead> <tbody> <tr> <td>20mm</td> <td>1</td> </tr> <tr> <td>25mm</td> <td>2</td> </tr> <tr> <td>Other please specify</td> <td>3</td> </tr> <tr> <td>Top</td> <td>*T</td> </tr> <tr> <td>Bottom</td> <td>*B</td> </tr> <tr> <td>RHS (not on LU1)</td> <td>*R</td> </tr> <tr> <td>LHS</td> <td>*L</td> </tr> </tbody> </table> <p>*prefix position with entry size code. e.g. 1R1B=20mm Right and Bottom entries.</p>	Entries	Code	20mm	1	25mm	2	Other please specify	3	Top	*T	Bottom	*B	RHS (not on LU1)	*R	LHS	*L	<table border="1"> <thead> <tr> <th>Label</th> <th>Code</th> </tr> </thead> <tbody> <tr> <td>None</td> <td>N</td> </tr> <tr> <td>Yes</td> <td>Y</td> </tr> </tbody> </table> <p>(Please specify)</p>	Label	Code	None	N	Yes	Y	<table border="1"> <thead> <tr> <th>Finish</th> <th>Code</th> </tr> </thead> <tbody> <tr> <td>Red</td> <td>R</td> </tr> <tr> <td>Blue</td> <td>B</td> </tr> <tr> <td>Yellow</td> <td>Y</td> </tr> <tr> <td>Yellow/Black Stripes</td> <td>X</td> </tr> <tr> <td>Grey</td> <td>G</td> </tr> <tr> <td>White</td> <td>W</td> </tr> <tr> <td>Special Finish</td> <td>S</td> </tr> </tbody> </table>	Finish	Code	Red	R	Blue	B	Yellow	Y	Yellow/Black Stripes	X	Grey	G	White	W	Special Finish	S
Type	Code																																																																																																								
Fluorescent EExd (Alloy)†	SM87LU1A																																																																																																								
Fluorescent EExd (Stainless Steel)*	SM87LU1S																																																																																																								
Filament EExd (Alloy)†	SM87LU3A																																																																																																								
Filament EExd (Stainless Steel)*	SM87LU3S																																																																																																								
Certification	Code																																																																																																								
ATEX	B																																																																																																								
UL Listed	UL																																																																																																								
CSA Certified	C																																																																																																								
GOST 'R' Certified	G																																																																																																								
GOST 'K' Certified	K																																																																																																								
Chinese (CQST)	Q																																																																																																								
Inmetro	DM																																																																																																								
Voltage	Code																																																																																																								
24V d.c.	024																																																																																																								
48V d.c.	048																																																																																																								
110V a.c.	110																																																																																																								
220V a.c.	220																																																																																																								
240V a.c.	240																																																																																																								
254Va.c.	254																																																																																																								
Colour	Code																																																																																																								
Red	R																																																																																																								
Blue	B																																																																																																								
Green	G																																																																																																								
Amber	A																																																																																																								
Yellow	Y																																																																																																								
Clear	C																																																																																																								
Guard	Code																																																																																																								
None	N																																																																																																								
Yes	Y																																																																																																								
Entries	Code																																																																																																								
20mm	1																																																																																																								
25mm	2																																																																																																								
Other please specify	3																																																																																																								
Top	*T																																																																																																								
Bottom	*B																																																																																																								
RHS (not on LU1)	*R																																																																																																								
LHS	*L																																																																																																								
Label	Code																																																																																																								
None	N																																																																																																								
Yes	Y																																																																																																								
Finish	Code																																																																																																								
Red	R																																																																																																								
Blue	B																																																																																																								
Yellow	Y																																																																																																								
Yellow/Black Stripes	X																																																																																																								
Grey	G																																																																																																								
White	W																																																																																																								
Special Finish	S																																																																																																								

Example

An EExd fluorescent in alloy with a clear lens suitable for 24V d.c., 2 x 20mm through entry, finished in grey would be our ref: SM87LU3A024CN1R1LNG.



All the above specifications, dimensions, weights and tolerances are nominal (typical) and MEDC reserve the right to vary all data without prior notice. No liability is accepted for any consequence of use.