

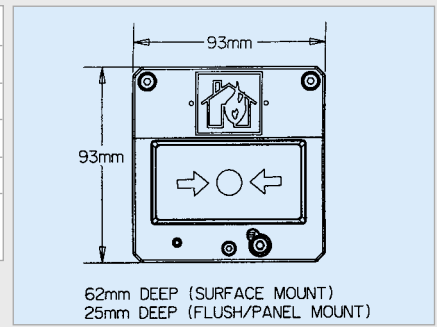
Heavy Duty, Industrial & Marine

BG3W

Break Glass Call Point – Weatherproof & Heavy Duty



Operating Temperature	-55°C to +55°C
Ingress Protection	IP66 & 67
Material	Corrosion-free GRP
Entries	2 x 20mm
Weight	0.5kg
Options: Body colour, LED, lift flap, series & EOL resistors, flush mounting, tag & duty labels.	



Standard model. Available ex-stock.

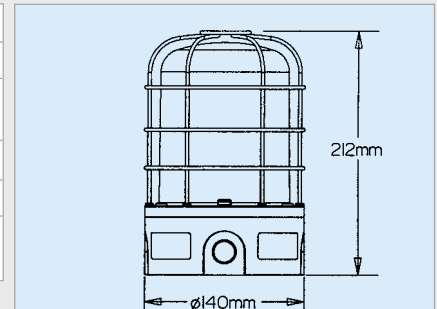
Ordering Code	Standard Product Configuration
800006	Standard models are surface mount version, have 2 x 20mm bottom entries, natural red GRP, single switch glass label 'Fire Break Glass Press Here', duty label 'Burning House'

XB13

10 Joule Flashing Xenon – Weatherproof & Heavy Duty



Operating Temperature	-55°C to +70°C
Ingress Protection	IP66 & 67
Material	Corrosion-free GRP body
Polycarbonate lens	
Entries	Up to 3 x 20mm via knockouts
Weight	1.1 kg
Options: Body & lens colour, tag & duty labels, lens guard, telephone & relay initiate, single & dual flash mode, voltages 12-24V d.c., 115-230V a.c.	



Standard models. Available ex-stock.

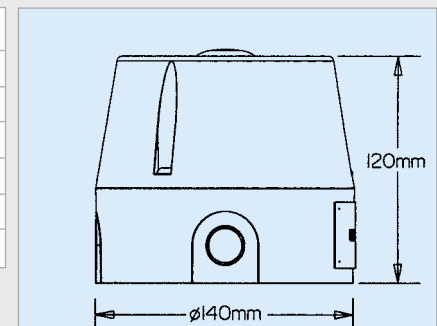
Voltage	Lens Colour	Ordering Code	Standard Product Configuration
24V d.c.	Red	813101	Standard models are in natural red body colour, no tag or duty labels, no lens guard, 3 x 20mm entries via knockouts, 60 flashes per minute (single flash mode), dual & single flash modes.
24V d.c.	Amber	813102	
230V a.c.	Red	813103	

DB12

110dB(A) Sounder – Weatherproof & Heavy Duty



Operating Temperature	-55°C to +70°C
Ingress Protection	IP66 & 67
Material	Corrosion-free GRP
Entries	Up to 3 x 20mm via knockouts
Weight	1 kg
No. of Tones	27 + 5 programmable
Options: Body colour, tag & duty labels, voltages 12V & 24V d.c.	



Standard models. Available ex-stock.

Voltage	Alarm Type	Ordering Code	Standard Product Configuration
24V d.c.	Two Stage	808001	Standard model has 27 tones, natural red body colour, no tag or duty labels, 3 x 20mm entries via knockouts.
115/230V a.c.	Single Stage	808003	

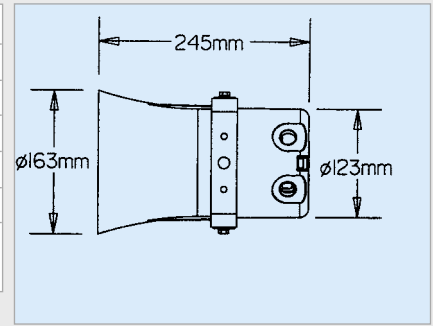
Heavy Duty, Industrial & Marine

DB15

117dB(A) Sounder – Weatherproof & Heavy Duty



Operating Temperature	-55°C to +70°C
Ingress Protection	IP66 & 67
Material	Corrosion-free GRP
Entries	2 x 20mm
Weight	2.6kg
No. of Tones	27 + 5 programmable
Options: Body colour, tag & duty labels, two stage alarm (DB15P) version, earth continuity, EOL resistor, voltages 12-48V d.c., 110-254V a.c.	



Standard models. Available ex-stock.

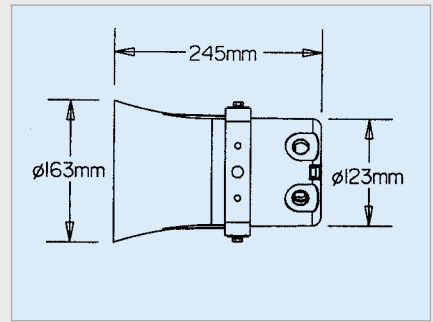
Voltage	Body Colour	Alarm Type	Ordering Code	Standard Product Configuration
24-48V d.c.	Natural Grey to RAL 7035	Two stage	808110	Standard model has 27 tones, 2 x 20mm entries.
24-48V d.c.	Red	Two stage	808115	
240V a.c.	Natural Grey to RAL 7035	Single stage	808120	
240V a.c.	Red	Single stage	808125	

DB14

15 Watt Speaker – Weatherproof & Heavy Duty



Ambient Operating Temperature	-55°C to +70°C
Ingress Protection	IP66 & 67
Material	Corrosion-free GRP
Output	107 dBA at 1W at 1 metre 117 dBA at 15W at 1 metre
Entries	2 x 20mm
Weight	2.6kg
Tappings	15, 7.5, 5, 4, 2, 0.8
Options: Body colour, tag & duty labels, transformer voltage, BS 5839, part 8 compliance, earth continuity	



Standard models. Available ex-stock.

Ordering Code	Standard Product Configuration
808010	Standard model has 100V line transformer, natural grey GRP body to RAL 7035, 2 x 20mm entries, no labels.

Beacon/Sounder Combination Units

Weatherproof & Heavy Duty



A range of combination units that can be constructed from MEDC sounders, beacons and other equipment.

For more information, download from www.medc.com, request data sheet 6DS104 or contact the sales office.



2316 So. 24th Street
Omaha, NE 68108
800.550.1AFIP (1237) toll free
402.733.2800 voice
402.344.7469 fax
www.associatedfire.net
E-mail: info@associatedfire.net